

Product: 1735 PA 10

Image

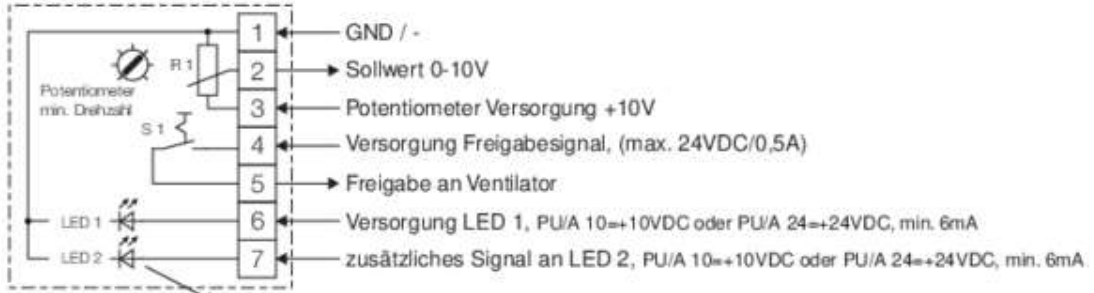


Description

PA 10
Speed potentiometer
with operating status signal
10V DC, surface installation

Wiring diagram

PU/A 10/24

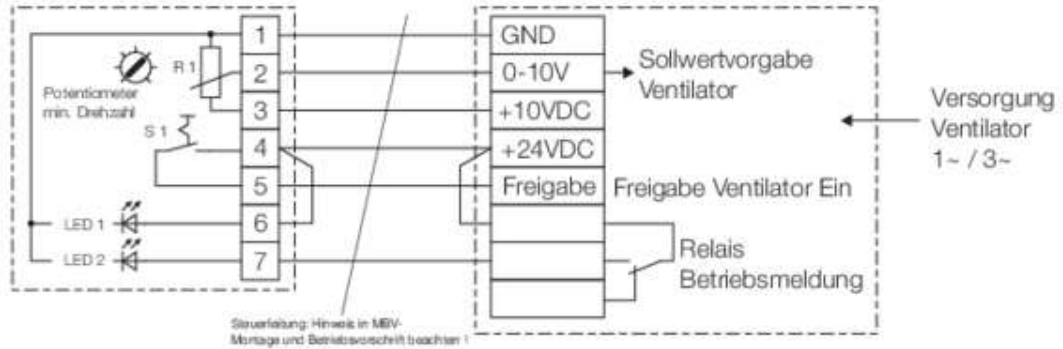


LED Anzeige Logik				
Klemme 1/6	10V/24V	10V/24V	0V	0V
Klemme 1/7	0V	10V/24V	10V/24V	0V
LED Anzeige	rot (1)	grün (2)	—	—

Beispiel:

PU/A 24

EC-Ventilator



Dimensions

