

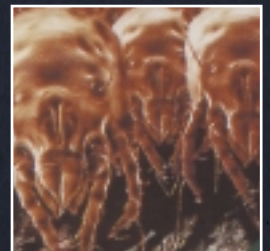
DEPURO 45H - 70H - 150TH



THE NEW VORTICE AIR PURIFIERS DEPURO
WITH "HEPA" REPLACEABLE FILTER SYSTEM

VENTILATION
AIR CONDITIONING
AIR CLEANING
HEATING

Fighting polluted air
at home and in the office:
BREATH CLEAN!



DEPURO 45H - 70H - 150TH

THE NEW VORTICE AIR PURIFIERS DEPURO
WITH "HEPA" REPLACEABLE FILTER SYSTEM



HEPA System - High Efficiency Particle Arresting - catches all particles up to 0,1 micron and also eliminates:
pollen, PM 10 - PM 2,5 dust, cigarette smoke, germs, bacteria and spores.

Fully equipped with:

- Active carbon filter incorporated into Hepa filter.
- Ioniser.
- Indicator lights.
- 3 speeds air flow regulator.
- Timer and pivoting wheels (Depuro 150TH only)



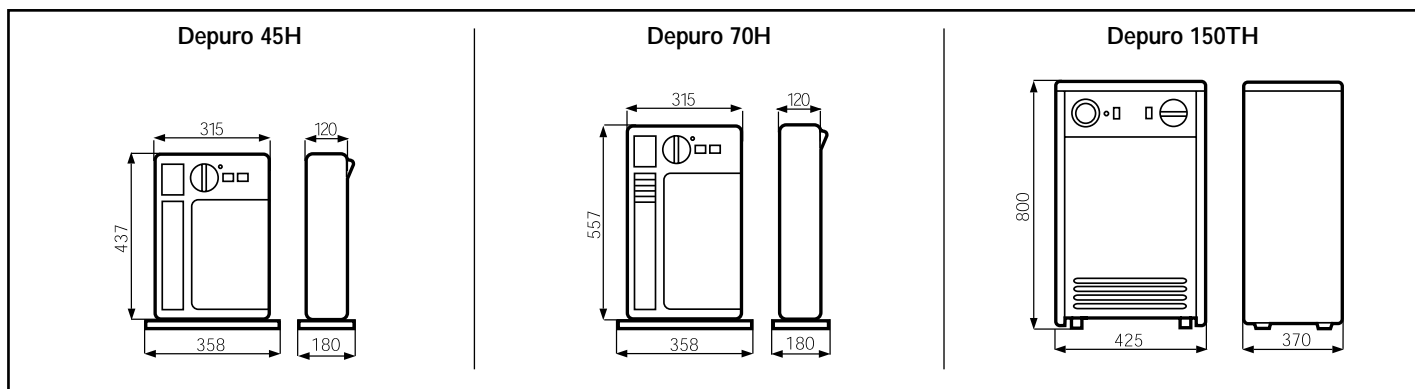
Models 45H and 70H can be used vertically, horizontally or wall-mounted with optional kit (code 22014).

Technical Specifications

Product	Depuro 45H	Depuro 70H	Depuro150TH
Code	25045/25055*	25046/25056*	25047/25057*
Voltage/Frequency (V/Hz)	230/50	230/50	230/50
Electrical power (W)	30	30	55
Noise level [Lps dB (A) 3m]	1 st speed	27,5	28,9
	2 st speed	35,7	36,4
	3 st speed	39,1	39,6
Washable metallic pre-filter	-	-	provided
Polyurethan pre-filter	provided	provided	-
HEPA H10 filter	provided	provided	provided
Active carbon filter	provided	provided	provided
Ioniser	provided	provided	provided
3 speeds	provided	provided	provided
Approvals			
Weight (kg)	3,9	4,5	26,2
Insulation	cl II	cl II	cl II
For rooms up to	45 m³	70 m³	150 m³

* UK code

Dimensions (mm)



Vortice Elettrosociali
Strada Cerca, 2
Frazione di Zoate
20067 Tribiano (Milano)
Tel. (+39) 02 906991
Fax (+39) 02 9064625
Italia
export@vortice-italy.com

Vortice France
72, Rue Baratte-Cholet
94106 Saint Maur CEDEX
Tel. (+33) 1.55.12.50.00
Fax (+33) 1.55.12.50.01
France

Vortice Limited
Beeches House-Eastern Avenue
Burton on Trent
DE13 0BB
Tel. (+44) 1283-49.29.49
Fax (+44) 1283-54.41.21
United Kingdom
getit@vortice.ltd.uk



www.vortice.com
www.vortice.fr
www.vortice.ltd.uk

The descriptions and illustrations in this catalogue are understood to be indicative and are not binding. While not changing the essential characteristics of the models described and illustrated, Vortice reserves the right to modify products whenever necessary and without warning.