

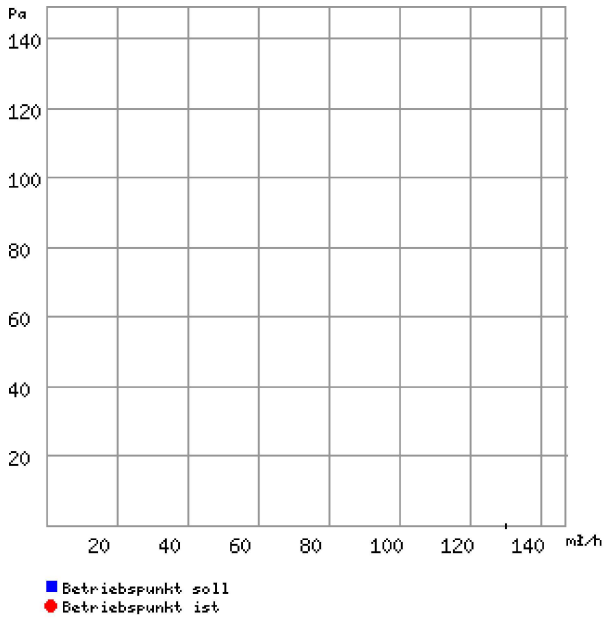
Product 8648 DVW 90

**Image**



**Characteristics**

Static pressure Pa



Air flow volume m³/h

**Properties**




Ref.no.	8648 - 003	
Model	DVW 90	
Description	CEILING FAN 36 INCH WHITE METAL	
Actual pressure	static	
Actual volume		
Max. Vol.		
Speed	340 min-1	
FLC un-controlled	0.260 A	
STC un-controlled	0.78 A	
Power consumption	50 W	
Voltage	230 V / 1 ph / 50 Hz	
Max.temp.	40 °C (40 °C if controlled)	
Wiring diagram no.	439	
Weight	4.80 kg	
Delivery time	Ex stock	
<b>Acoustic data:</b>		
Sound in-duct		
Case breakout		
<b>Intake</b>	<b>Hz</b>	<b>Total</b>
Lwa Intake	dB(A)	<b>0 0 0 0 0 0 0 0</b>
Lwa Extract	dB(A)	<b>0 0 0 0 0 0 0 0</b>
Lwa Breakout	dB(A)	<b>0 0 0 0 0 0 0 0</b>

**Description**

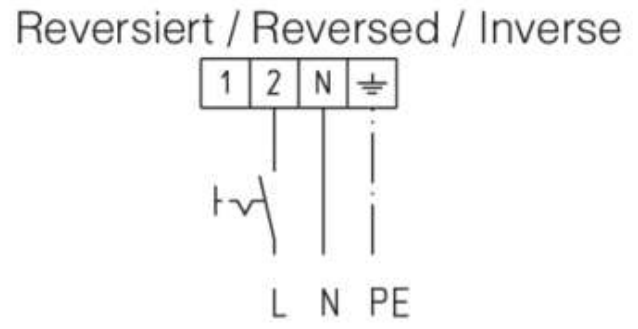
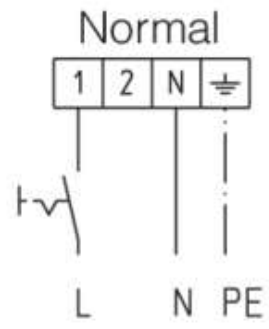
DVW 90  
CEILING FAN 36 INCH  
WHITE METAL

Classic 3 blade design, robust casing fan made from steel. Totally enclosed motor in a white powder paint finish. Maintenance free and radio suppressed, suitable for continuous operation. Simple installation, pre-assembled motor and fixings. Only blades need to be fixed. Variable down rods using two length down rods. Speed controllable via 5 speed transformer TSW 0,3 (accessories). Safety regulations ask for a minimum distance of 2.3 m from the bottom of the blades to the floor. Reversible air flow direction. Air flow direction to floor or to ceiling by wiring connection or through reversing switch (accessories DSEL 2). On reversed operation (air flow direction to ceiling) a minimum start voltage of 100 V is required.

**Accessories**

<b>Image</b>	<b>Ref.no.</b>	<b>Model</b>	<b>Description</b>	<b>Group</b>
	1306	DSEL 2	DUAL SPEED CONTROLLER	A
	1613	EDTW	DIFFERENTIAL TEMP. CONTROLLER FOR 1 PH FANS, I MAX. 2.5 A	A
	3608	TSW 0,3	5 STEP TRANSFORMER CONTROLLER 1-PH, 230 V, 0,35 A	R

Wiring diagram



95631 SS-439

## Dimensions

