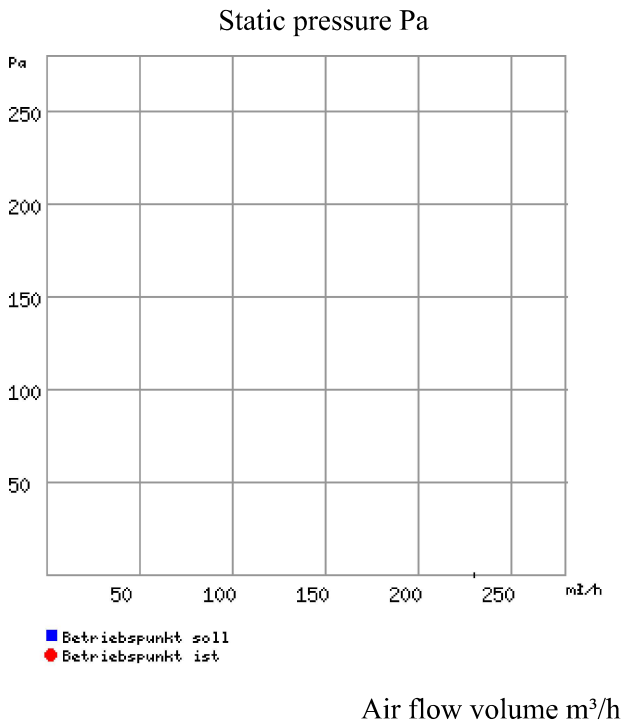


Product 8649 DVW 140

Image



Characteristics



Properties




Ref.no.	8649 - 004	
Model	DVW 140	
Description	CEILING FAN 55 INCH WHITE METAL	
Actual pressure	static	
Actual volume		
Max. Vol.		
Speed	270 min-1	
FLC un-controlled	0.300 A	
STC un-controlled	0.9 A	
Power consumption	65 W	
Voltage	230 V / 1 ph / 50 Hz	
Max.temp.	40 °C (40 °C if controlled)	
Wiring diagram no.	439	
Weight	6.80 kg	
Delivery time	Ex stock	
Acoustic data:		
Sound in-duct		
Case breakout		
Intake	Hz	Total
Lwa Intake	dB(A)	125 250 500 1k 2k 4k 8k
Lwa Extract	dB(A)	0 0 0 0 0 0 0
Lwa Breakout	dB(A)	0 0 0 0 0 0 0

Description

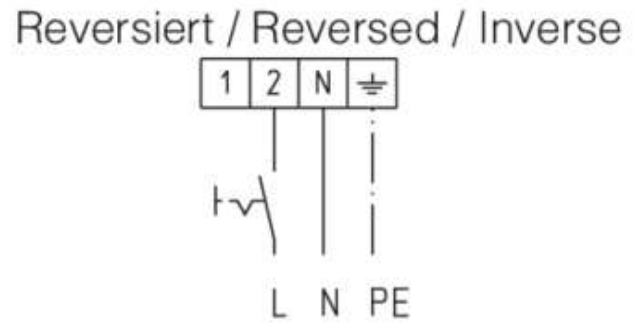
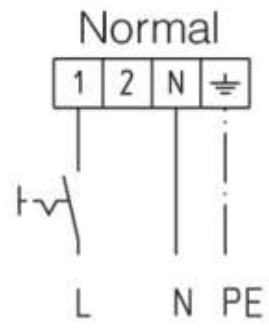
DVW 140
CEILING FAN 55 INCH
WHITE METAL

Classic 3 blade design, robust casing fan made from steel. Totally enclosed motor in a white powder paint finish. Maintenance free and radio suppressed, suitable for continuous operation. Simple installation, pre-assembled motor and fixings. Only blades need to be fixed. Variable down rods using two length down rods. Speed controllable via 5 speed transformer TSW 0,3 (accessories). Safety regulations ask for a minimum distance of 2.3 m from the bottom of the blades to the floor. Reversible air flow direction. Air flow direction to floor or to ceiling by wiring connection or through reversing switch (accessories DSEL 2). On reversed operation (air flow direction to ceiling) a minimum start voltage of 100 V is required.

Accessories

Image	Ref.no.	Model	Description	Group
	1306	DSEL 2	DUAL SPEED CONTROLLER	A
	1613	EDTW	DIFFERENTIAL TEMP. CONTROLLER FOR 1 PH FANS, I MAX. 2.5 A	A
	3608	TSW 0,3	5 STEP TRANSFORMER CONTROLLER 1-PH, 230 V, 0,35 A	R

Wiring diagram



95631 SS-439

Dimensions

