

# CJTHT/PLUS

**400°C/2h, 300°C/1h and 200°C/2h axial extraction units with built-in noise reducer**



Highly-efficient built-in noise reducer.

Extraction units with soundproofed box to work inside fire danger zones at 400°C/2h and noise reducer, with built-in central core.

**Fan:**

- Galvanised sheet steel structure with thermal insulation and soundproofing.
- Turnable cast aluminium impellers.
- Noise reducer with sound-absorbing material, especially tested to reduce noise considerably. Units suitable for working in both horizontal and vertical positions. Approval according to Standard EN-12101-3-2002, certificate no.: 0370-CPD-0312
- Airflow direction from motor to impeller

**Motor:**

- Class H motors, ongoing use S1 and emergency use S2, with ball bearings, IP55 protection, and one- or two- speed depending on the model.
- Three-phase 230/400V.-50Hz. (up to 4CV.) and 400/690V.-50Hz. (power over 4CV.)
- Max. temperature of air for transport: S1 Service -20°C+ 40°C for ongoing use, S2 Service 200°C/2h, 300°C/2h, 400°C/2h

**Finish:**

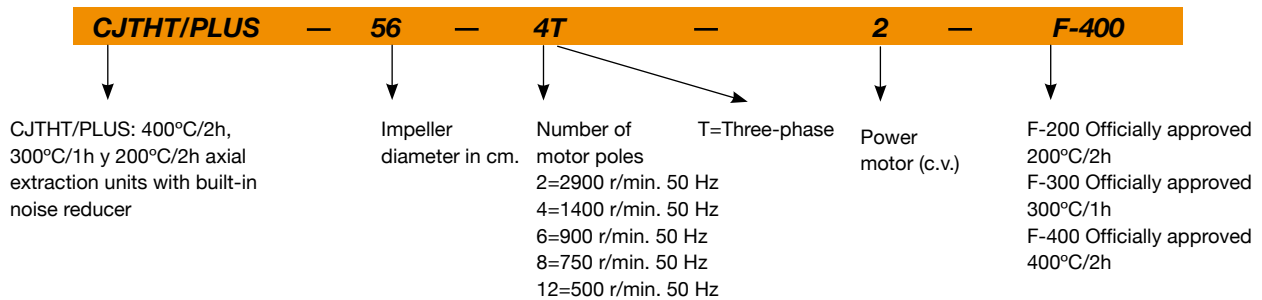
- Anticorrosive galvanized sheet steel.

**On request:**

- 100% reversible impellers.



## Order code



## Technical characteristics

Model	Speed (r/min)	Maximum admissible current (A)			Power installed (kW)	Airflow maximum (m³/h)	Sound pressure level dB(A)	Approx. weight (Kg)
		230V	400V	690V				
CJTHT-40-2/4T-1,5/PLUS	2920 / 1460	2.90	2.10		1.1 / 0.25	7050/3500	71/56	53
CJTHT-40-2/4T-2/PLUS	2940 / 1460	4.40	1.40		1.5 / 0.37	8000/3950	72/57	54
CJTHT-40-4T-0,75/PLUS	1420	2.90	1.70		0.55	4800	59	47
CJTHT-40-6T-0,75/PLUS	930	3.30	1.90		0.55	3150	49	52
CJTHT-40-6/12T-0,75/PLUS	940 / 440		2.10 / 0.90		0.55 / 0.09	3150/1500	49/34	56
CJTHT-45-2/4T-2/PLUS	2940 / 1460	5.70	1.80		1.50 / 0.37	10050/5000	73/58	56
CJTHT-45-2/4T-3/PLUS	2930 / 1450	4.40	1.40		2.20 / 0.60	11350/5600	75/60	58
CJTHT-45-4T-0,75/PLUS	1420	2.90	1.70		0.55	7450	63	49
CJTHT-45-6T-0,75/PLUS	930	3.30	1.90		0.55	5050	51	53
CJTHT-45-6/12T-0,75/PLUS	940 / 440		2.10 / 0.90		0.55 / 0.09	5050/2350	51/36	58
CJTHT-50-2/4T-4/PLUS	2920 / 1440	6.70	2.00		3.00 / 0.80	13850/6850	77/60	65

## Technical characteristics

Model	Speed (r/min)	Maximum admissible current (A)			Power installed (kW)	Airflow maximum (m³/h)	Sound pressure level dB(A)	Approx. weight (Kg)
		230V	400V	690V				
CJTHT-50-2/4T-6/PLUS	2930/ 1450		10.00 / 3.20		4.50 / 1.30	16750/8300	78/63	81
CJTHT-50-4T-1/PLUS	1420	3.70	2.10		0.75	9750	64	51
CJTHT-50-6T-0,75/PLUS	930	3.30	1.90		0.55	7900	53	55
CJTHT-50-6/12T-0,75/PLUS	940/ 440		2.10 / 0.90		0.55 / 0.09	7900/3700	53/38	59
CJTHT-56-2/4T-6/PLUS	2930/ 1450		10.00 / 3.20		4.50 / 1.30	20050	83 67	90
CJTHT-56-2/4T-12/PLUS	2920/ 1440		20.70 / 5.50		9.00 / 2.50	29500/14750	84/69	153
CJTHT-56-4T-1/PLUS	1420	3.70	2.10		0.75	11850	68	62
CJTHT-56-4T-1,5/PLUS	1420	4.70	2.70		1.10	13050	69	64
CJTHT-56-4/8T-1,5/PLUS	1440/ 710		2.90 / 1.40		1.10 / 0.25	13050/6450	69/52	68
CJTHT-56-4T-2/PLUS	1425	6.60	3.80		1.50	14550	70	68
CJTHT-56-4/8T-2/PLUS	1415/ 715		3.60 / 1.50		1.50 / 0.30	14550/7350	70/53	80
CJTHT-56-6T-0,75/PLUS	930	3.30	1.90		0.55	10350	58	64
CJTHT-56-6/12T-0,75/PLUS	940/ 440		2.10 / 0.90		0.55 / 0.09	10350/4850	58/41	68
CJTHT-63-4T-1/PLUS	1420	3.70	2.10		0.75	15200	68	66
CJTHT-63-4T-1,5/PLUS	1420	4.70	2.70		1.10	17800	69	69
CJTHT-63-4/8T-1,5/PLUS	1440/ 710		2.90 / 1.40		1.10 / 0.25	17800/8800	69/52	72
CJTHT-63-4T-2/PLUS	1425	6.60	3.80		1.50	19350	70	72
CJTHT-63-4/8T-2/PLUS	1415/ 715		3.60 / 1.50		1.50 / 0.30	19350/9750	70/53	84
CJTHT-63-4T-3/PLUS	1435	9.20	5.30		2.20	21550	72	78
CJTHT-63-4/8T-3/PLUS	1415/ 715		5.20 / 1.90		2.20 / 0.45	21550/10900	72/54	90
CJTHT-63-4T-4/PLUS	1430	11.40	6.60		3.00	24350	73	87
CJTHT-63-4/8T-4/PLUS	1425/ 710		6.80 / 2.20		3.00 / 0.60	24350/12150	73/55	101
CJTHT-63-6T-0,75/PLUS	930	3.30	1.90		0.55	13650	61	68
CJTHT-63-6/12T-0,75/PLUS	940/ 440		2.10 / 0.90		0.55 / 0.09	13650/6400	61/44	72
CJTHT-63-4T-1/PLUS	940	4.40	2.60		0.75	15050	62	72
CJTHT-63-6/12T-1/PLUS	935/ 430		2.50 / 1.03		0.75 / 0.15	15050/7050	62/45	78
CJTHT-71-4T-1,5/PLUS	1420	4.70	2.70		1.10	19550	74	85
CJTHT-71-4/8T-1,5/PLUS	1440/ 710		2.90 / 1.40		1.10 / 0.25	19550/9650	74/59	89
CJTHT-71-4T-2/PLUS	1425	6.60	3.80		1.50	22200	75	89
CJTHT-71-4/8T-2/PLUS	1415/ 715		3.60 / 1.50		1.50 / 0.30	22200/11200	75/60	101
CJTHT-71-4T-3/PLUS	1435	9.20	5.30		2.20	25850	76	95
CJTHT-71-4/8T-3/PLUS	1415/ 715		5.20 / 1.90		2.20 / 0.45	25850/13050	76/62	107
CJTHT-71-4T-4/PLUS	1430	11.40	6.60		3.00	28550	77	104
CJTHT-71-4/8T-4/PLUS	1425/ 710		6.80 / 2.20		3.00 / 0.60	28550/14250	77/63	118
CJTHT-71-6T-0,75/PLUS	930	3.30	1.90		0.55	16100	63	85
CJTHT-71-6/12T-0,75/PLUS	940/ 440		2.10 / 0.90		0.55 / 0.09	16100/7550	63/49	89
CJTHT-71-6T-1/PLUS	940	4.40	2.60		0.75	17350	64	88
CJTHT-71-6/12T-1/PLUS	935/ 430		2.50 / 1.03		0.75 / 0.15	17350/8100	64/49	95
CJTHT-71-6T-1,5/PLUS	945	6.40	3.70		1.10	20000	65	94
CJTHT-71-6/12T-1,5/PLUS	940/ 450		3.30 / 1.20		1.10 / 0.18	20000/9900	65/50	102
CJTHT-80-4T-3/PLUS	1435	9.20	5.30		2.20	27900	78	103
CJTHT-80-4/8T-3/PLUS	1415/ 715		5.20 / 1.90		2.20 / 0.45	27900/14100	78/63	115
CJTHT-80-4T-4/PLUS	1430	11.40	6.60		3.00	30400	79	112
CJTHT-80-4/8T-4/PLUS	1425/ 710		6.80 / 2.20		3.00 / 0.60	30400/15150	79/64	125
CJTHT-80-4T-5,5/PLUS	1440		8.40	4.80	4.00	36900	80	118
CJTHT-80-4/8T-5,5/PLUS	1455/ 725		9.30 / 3.40		4.00 / 0.80	36900/18400	80/65	153
CJTHT-80-6T-1,5/PLUS	945	6.40	3.70		1.10	23250	68	102
CJTHT-80-6/12T-1,5/PLUS	940/ 450		3.30 / 1.20		1.10 / 0.18	23250/11500	68/53	110
CJTHT-80-6T-2/PLUS	945	7.40	4.30		1.50	26100	69	111
CJTHT-80-6/12T-2/PLUS	960/ 470		4.30 / 1.70		1.50 / 0.25	26100/12650	69/54	115
CJTHT-80-6T-3/PLUS	950	10.30	5.90		2.20	30000	70	118
CJTHT-80-6/12T-3/PLUS	940/ 470		5.60 / 2.20		2.20 / 0.37	30000/15000	70/55	124
CJTHT-80-8T-0,75/PLUS	700	3.60	2.10		0.55	19050	67	95

## Technical characteristics

Model	Speed (r/min)	Maximum admissible current (A)			Power installed (kW)	Airflow maximum (m³/h)	Sound pressure level dB(A)	Approx. weight (Kg)
		230V	400V	690V				
CJTHT-80-8T-1/PLUS	710	4.80	2.80		0.75	20750	68	102
CJTHT-90-4T-4/PLUS	1430	11.40	6.60		3.00	36150	82	136
CJTHT-90-4/8T-4/PLUS	1425/ 710		6.80 / 2.20		3.00 / 0.60	36150/18000	82/68	149
CJTHT-90-4T-5,5/PLUS	1440		8.40	4.80	4.00	41700	84	142
CJTHT-90-4/8T-5,5/PLUS	1455/ 725		9.30 / 3.40		4.00 / 0.80	41700/20750	84/69	177
CJTHT-90-4T-7,5/PLUS	1460		13.00	7.50	5.50	46350	86	168
CJTHT-90-4/8T-7,5/PLUS	1455/ 725		12.80 / 4.60		5.50 / 1.10	46350/23100	86/72	182
CJTHT-90-4T-10/PLUS	1460		17.70	10.20	7.50	52000	87	179
CJTHT-90-4/8T-9/PLUS	1455/ 725		15.50 / 5.50		6.70 / 1.50	52000/25900	87/73	182
CJTHT-90-6T-2/PLUS	945	7.40	4.30		1.50	30350	74	135
CJTHT-90-6/12T-2/PLUS	960/ 470		4.30 / 1.70		1.50 / 0.25	30350/14700	74/59	139
CJTHT-90-6T-3/PLUS	950	10.30	5.90		2.20	34050	75	142
CJTHT-90-6/12T-3/PLUS	940/ 470		5.60 / 2.20		2.20 / 0.37	34050/17050	75/60	148
CJTHT-90-6T-4/PLUS	970	14.60	8.40		3.00	37200	76	166
CJTHT-90-6/12T-4/PLUS	970/ 475		8.90 / 3.50		3.00 / 0.55	37200/18400	76/61	168
CJTHT-90-8T-1/PLUS	710	4.80	2.80		0.75	24100	68	126
CJTHT-90-8T-2/PLUS	700	9.00	5.20		1.50	29600	69	142
CJTHT-90-8T-3/PLUS	710	11.40	6.60		2.20	30950	70	158
CJTHT-100-4T-7,5/PLUS	1460		13.00	7.50	5.50	54900	88	176
CJTHT-100-4/8T-7,5/PLUS	1455/ 725		12.80 / 4.60		5.50 / 1.10	54900/27350	88/73	190
CJTHT-100-4T-10/PLUS	1460		17.70	10.20	7.50	57650	89	187
CJTHT-100-4/8T-9/PLUS	1455/ 725		15.50 / 5.50		6.70 / 1.50	60400/30100	89/74	190
CJTHT-100-4T-15/PLUS	1460		22.00	12.70	11.00	66500	90	231
CJTHT-100-4/8T-15/PLUS	1470/ 725		23.20 / 8.70		11.00 / 2.80	66500/32800	90/75	231
CJTHT-100-4T-20/PLUS	1460		29.00	16.70	15.00	73200	91	246
CJTHT-100-4/8T-20/PLUS	1470/ 725		31.70 / 11.80		15.00 / 3.80	73200/36100	91/76	246
CJTHT-100-6T-3/PLUS	950	10.30	5.90		2.20	39600	79	150
CJTHT-100-6/12T-3/PLUS	940/ 470		5.60 / 2.20		2.20 / 0.37	39600/19800	79/64	156
CJTHT-100-6T-4/PLUS	970	14.60	8.40		3.00	43550	80	175
CJTHT-100-6/12T-4/PLUS	970/ 475		8.90 / 3.50		3.00 / 0.55	43550/21550	80/65	176
CJTHT-100-6T-5,5/PLUS	970		11.00	6.40	4.00	47950	81	187
CJTHT-100-6/12T-5,5/PLUS	970/ 480		11.30 / 4.20		4.00 / 0.65	47950/23750	81/66	187
CJTHT-100-8T-2/PLUS	700	9.00	5.20		1.50	34700	74	150
CJTHT-100-8T-3/PLUS	710	11.40	6.60		2.20	39400	74	167
CJTHT-100-8T-4/PLUS	710	15.60	9.00		3.00	40600	75	187

## Acoustic features

The specified values are determined according to free field measurements of pressure and sound levels in dB(A) at an equivalent distance of twice the fan's span plus the impeller's diameter, with a minimum of 1.5 m.

Sound power Lw(A) spectrum in dB(A) via frequency band in Hz.

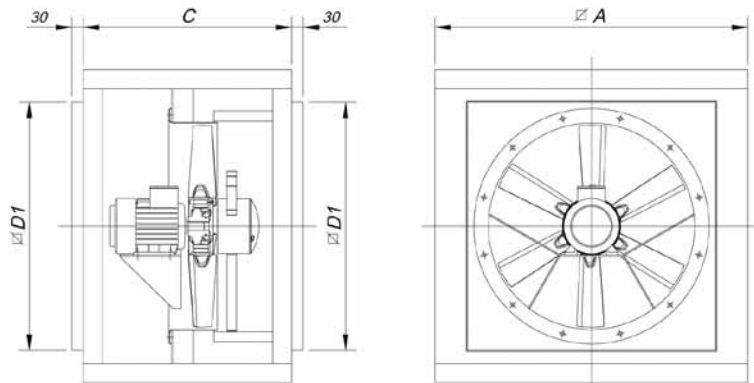
Model	63	125	250	500	1000	2000	4000	8000	Model	63	125	250	500	1000	2000	4000	8000
40-2-1,5	43	64	71	76	79	75	68	57	50-6	28	48	56	61	63	60	53	42
40-2-2	44	65	72	77	80	76	69	58	50-12	13	33	41	46	48	45	38	27
40-4-0,75	31	52	59	64	67	63	56	45	56-2-6	58	78	86	91	93	90	83	72
40-4-1,5	28	49	56	61	64	60	53	42	56-2-12	59	79	87	92	94	91	84	73
40-4-2	29	50	57	62	65	61	54	43	56-4-1	43	63	71	76	78	75	68	57
40-6	21	42	49	54	57	53	46	35	56-4-1,5	44	64	72	77	79	76	69	58
40-12	6	27	34	39	42	38	31	20	56-4-2	45	65	73	78	80	77	70	59
45-2-2	45	66	73	78	81	77	70	59	56-4-6	42	62	70	75	77	74	67	56
45-2-3	47	68	75	80	83	79	72	61	56-4-12	44	64	72	77	79	76	69	58
45-4-0,75	35	56	63	68	71	67	60	49	56-6	33	53	61	66	68	65	58	47
45-4-2	30	51	58	63	66	62	55	44	56-8-1,5	27	47	55	60	62	59	52	41
45-4-3	32	53	60	65	68	64	57	46	56-8-2	28	48	56	61	63	60	53	42
45-6	23	44	51	56	59	55	48	37	56-12	16	36	44	49	51	48	41	30
45-12	8	29	36	41	44	40	33	22	63-4-1	45	65	73	78	80	77	70	59
50-2-4	52	72	80	85	87	84	77	66	63-4-1,5	44	64	72	77	79	76	69	60
50-2-6	53	73	81	86	88	85	78	67	63-4-2	47	64	72	77	79	76	69	61
50-4-1	39	59	67	72	74	71	64	53	63-4-3	49	67	75	80	82	79	74	63
50-4-4	35	55	63	68	70	67	60	49	63-4-4	50	68	76	81	83	80	75	64
50-4-6	38	58	66	71	73	70	63	52	63-6-0,75	38	56	64	69	71	68	61	52

## Acoustic features

Sound power Lw(A) spectrum in dB(A) via frequency band in Hz.

63-6-1	39	58	66	71	73	70	63	53	90-4-5,5	56	77	84	89	92	88	81	70
63-8-1,5	27	47	55	60	62	59	52	43	90-4-7,5	55	76	83	88	91	87	80	69
63-8-2	30	47	55	60	62	59	52	44	90-4-9	54	75	82	87	90	86	79	68
63-8-3	31	49	57	62	64	61	56	45	90-4-10	54	75	82	87	90	86	79	68
63-8-4	32	50	58	63	65	62	57	46	90-6-2	46	67	74	79	82	78	71	60
63-12-0,75	21	37	45	50	52	49	42	31	90-6-3	53	67	74	79	82	78	71	60
63-12-1	22	39	47	52	54	51	44	36	90-6-4	54	69	76	81	84	80	73	62
71-4-1,5	51	71	79	84	86	83	76	65	90-8-1	39	60	67	72	75	71	64	53
71-4-2	50	70	78	83	85	82	75	66	90-8-2	47	62	69	74	77	73	66	55
71-4-3	53	68	76	81	83	80	73	67	90-8-3	48	62	69	74	77	73	66	55
71-4-4	54	69	77	82	84	81	74	68	90-8-4	43	64	71	76	79	75	68	60
71-6-0,75	40	60	68	71	73	70	63	52	90-8-5,5	41	62	69	74	77	73	66	55
71-6-1	41	61	69	71	73	70	63	52	90-8-7,5	40	61	68	73	76	72	65	54
71-6-1,5	42	62	67	72	74	71	64	53	90-8-9	40	61	68	73	76	72	65	54
71-8-1,5	36	55	63	68	70	67	61	50	90-12-2	29	50	57	62	65	61	54	43
71-8-2	35	55	63	68	70	67	60	51	90-12-3	38	50	57	62	65	61	54	43
71-8-3	39	54	62	67	69	66	59	53	90-12-4	39	52	59	64	67	63	56	45
71-8-4	40	55	63	68	70	67	60	54	100-4-7,5	61	81	89	94	96	93	86	75
71-12-0,75	26	42	50	55	57	54	47	36	100-4-9	60	80	88	93	95	92	85	74
71-12-1	26	42	50	55	57	54	47	36	100-4-10	59	79	87	92	94	91	84	73
71-12-1,5	27	42	50	55	57	54	47	36	100-4-15	58	78	86	91	93	90	83	72
80-4-3	55	74	82	88	89	86	80	69	100-4-20	60	80	88	93	95	92	85	74
80-4-4	53	73	81	86	88	85	78	70	100-6-3	59	70	78	83	85	82	75	64
80-4-5,5	53	73	81	86	88	85	78	71	100-6-4	60	68	76	81	83	80	73	62
80-6-1,5	45	62	70	75	77	74	67	56	100-6-5,5	61	70	78	83	85	82	75	64
80-6-2	46	63	71	76	78	75	68	57	100-8-2	54	64	72	77	79	76	69	58
80-6-3	47	64	72	77	79	76	69	58	100-8-3	54	66	74	79	81	78	71	60
80-8-0,75	44	57	65	70	72	69	62	51	100-8-4	55	66	74	79	81	78	71	60
80-8-1	45	58	66	71	73	70	63	52	100-8-7,5	46	66	74	79	81	78	71	60
80-8-3	40	59	67	73	74	71	65	54	100-8-9	45	65	73	78	80	77	70	59
80-8-4	38	58	66	71	73	70	63	55	100-8-15	43	63	71	76	78	75	68	57
80-8-5,5	37	57	65	70	72	69	62	56	100-8-20	44	64	72	77	79	76	69	58
80-12-1,5	30	45	53	58	60	57	50	39	100-12-3	44	53	61	66	68	65	58	47
80-12-2	31	46	54	59	61	58	51	40	100-12-4	45	52	60	65	67	64	57	46
80-12-3	32	47	55	60	62	59	52	41	100-12-5,5	46	53	61	66	68	65	58	47
90-4-4	57	78	85	90	93	89	82	74									

## Dimensions in mm



Model	∅A	C	∅D1
CJTHT/PLUS-40/45/50	700	550	565
CJTHT/PLUS-56/63	825	550	690
CJTHT/PLUS-71/80	1000	650	850
CJTHT/PLUS-90/100	1200	750	1050

## Characteristic curves

See characteristic curves on page 33.

## Accessories

See accessories section

