

CJS



400°C/2h and 300°C/2h extraction units with exchangeable hatches

Extraction units, with sandwich panel, to work inside fire danger zones at 400°C/2h, with soundproofed box.

Fan:

- Galvanised sheet steel structure with thermal insulation and soundproofing.
- Impeller with backward-curved blades made from sheet steel
- Exchangeable hatches for outlet on either side.
- Standard models supplied with rectangular outlet; can be changed to a circular outlet via the TAC accessory
- Approval according to Standard EN 12101-3:2002/AC:2006, with certification No: 0370-CPR-0398
- Linear air circulation



Built with sandwich panels to reduce noise irradiation

Motor:

- Class H motors, ongoing use S1 and emergency use S2, with ball bearings, IP55 protection, and one- or two- speed depending on the model.
- Three-phase 230/400V.-50Hz. (up to 4HP) and 400/690V.-50Hz. (power over 4HP)
- Max. air temperature to transport: S1 Service -20°C+ 40°C for ongoing use, S2 Service 300°C/2h, 400°C/2h

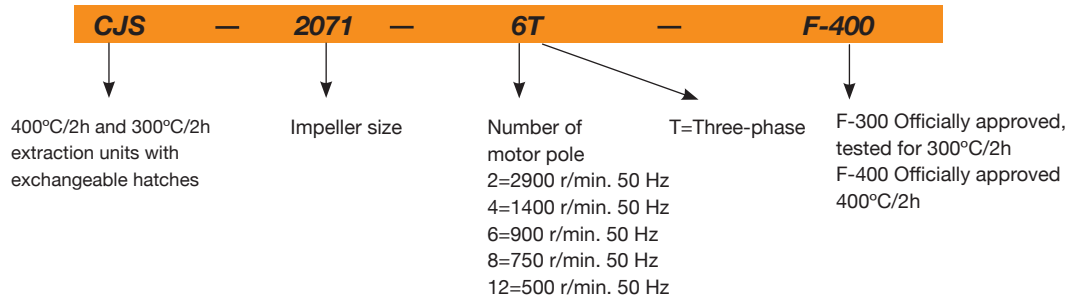
Finish:

- Anti-corrosive galvanised sheet steel.

On request:

- Fans with two-speed motor.
- Special version to work in a vertical position

Order Code



Technical characteristics

Model	Speed (r/min)	Maximum admissible current (A)			Power installed (kW)	Airflow maximum (m³/h)	Sound pressure level dB(A)	Approx. weight (Kg)
		230V	400V	690V				
CJS-1240-6T	930	1.90	1.90		0.55	2750	59	87
CJS-1850-4T	1425	6.60	3.80		1.50	6700	70	87
CJS-1850-4/8T	1415/715		3.60 / 1.50		1.50/0.30	6700/3350	70 / 55	92
CJS-1850-6T	930	3.30	1.90		0.55	4000	60	85
CJS-2056-4T	1435	9.20	5.30		2.20	9500	72	133
CJS-2056-4/8T	1415/715		5.20 / 1.90		2.20/0.45	9500/4750	72 / 57	146
CJS-2056-6T	940	4.40	2.60		0.75	6500	62	128
CJS-2263-4T	1430		11.50	6.64	5.50	17400	74	196
CJS-2263-4/8T	1455/725		12.80 / 4.60		5.50/1.10	17400/8700	74 / 59	215
CJS-2263-6T	945	6.40	3.70		1.10	9000	64	139
CJS-2071-4T	1455		23.00	13.28	11.00	25000	83	285
CJS-2071-4/8T	1470/725		23.20 / 8.70		11.00/2.80	25000/12500	83 / 68	285
CJS-2071-6T-3	950	10.30	5.90		2.20	12500	68	156
CJS-2071-6T-5.5	970		11.00	6.35	4.00	16000	70	251
CJS-2880-6T	970		11.00	6.35	4.00	17100	71	249



Erp. BEP (best efficiency point) characteristics

<(°)	Angle of inclination of the blades, in degrees	SR	Specific ratio
PN	Motor's nominal power in kW	ηe[%]	Efficiency
MC	Measurement category	N	Efficiency grade
EC	Efficiency category	[kW]	Input power
S	Static	[m³/h]	Airflow
T	Total	[mmH²O]	Static or total pressure (According to EC)
VSD	Variable-speed drive	[RPM]	Speed

Modelo	MC	EC	VSD	SR	ηe[%]	N	(kW)	(m³/h)	(mmH₂O)	(RPM)
CJS-1240-6T	C	S	NO	1.00	44.5%	62.1	0.203	2636	12.58	983
CJS-1850-4T	C	S	NO	1.01	58.5%	67.2	1.317	5311	53.29	1435
CJS-1850-4/8T	C	S	NO	1.01	58.5%	67.2	1.317	5311	53.29	1427
CJS-1850-6T	C	S	NO	1.00	48.4%	62.3	0.458	3506	23.21	962
CJS-2056-4T	C	S	NO	1.01	57.3%	64.0	2.310	10049	48.37	1447
CJS-2056-4/8T	C	S	NO	1.01	61.2%	67.8	2.165	10049	48.37	1439
CJS-2056-6T	C	S	NO	1.00	54.7%	66.5	0.642	7300	17.65	966
CJS-2263-4T	C	S	NO	1.01	60.7%	64.1	4.407	10554	93.08	1437
CJS-2263-4/8T	C	S	NO	1.01	60.7%	63.6	4.407	10554	93.08	1464
CJS-2263-6T	C	S	NO	1.00	56.9%	65.1	1.510	7467	42.27	947
CJS-2071-4T	C	S	NO	1.01	63.9%	64.4	7.869	17360	106.36	1473
CJS-2071-4/8T	C	S	NO	1.01	63.9%	64.4	7.869	17360	106.36	1482
CJS-2071-6T-3	C	S	NO	1.01	57.3%	63.1	2.637	11095	49.97	954
CJS-2071-6T-5.5	C	S	NO	1.01	60.1%	64.9	3.150	13428	51.77	982
CJS-2880-6T	C	S	NO	1.01	53.7%	57.5	4.079	15923	50.52	976

* Data plug internal fan

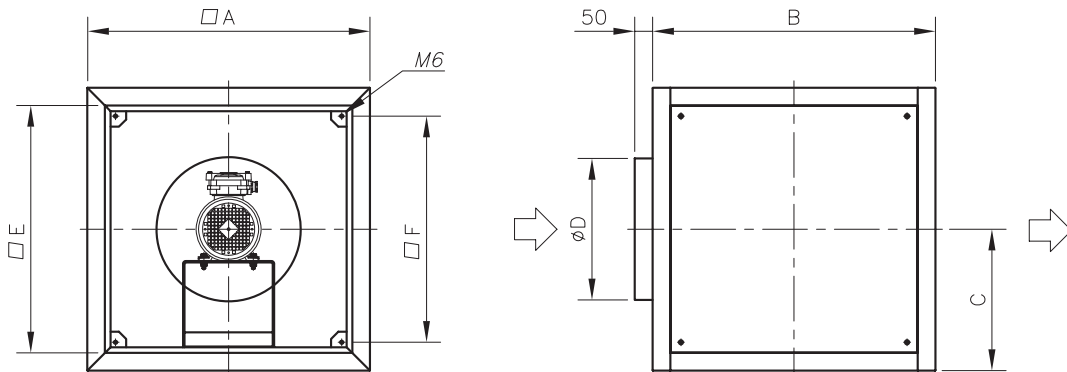
Acoustic features

The specified values are determined according to free field measurements of pressure and sound levels in dB(A) at an equivalent distance of twice the fan's span plus the turbine's diameter, with a minimum of 1.5 m.

Sound power Lw(A) spectrum in dB(A) via frequency band in Hz.

Model	63	125	250	500	1000	2000	4000	8000	Model	63	125	250	500	1000	2000	4000	8000
1240	44	58	64	67	67	68	58	47	2263-6	61	67	72	73	77	76	69	62
1850-4	66	72	77	78	81	80	73	68	2263-8	59	64	70	72	70	67	60	52
1850-6	56	62	67	68	71	70	63	58	2271-4	80	81	89	92	95	96	92	78
1850-8	51	57	62	63	66	65	58	53	2271-6-3	65	71	76	77	81	80	73	66
2056-4	67	73	79	79	83	83	75	68	2271-6-5,5	66	65	80	79	83	83	72	61
2056-6	57	63	69	69	73	73	65	58	2271-8	65	66	74	77	80	81	77	63
2056-8	52	58	64	64	68	68	60	53	2880	68	74	79	80	84	83	76	69
2263-4	74	79	85	87	85	82	75	67									

Dimensions in mm

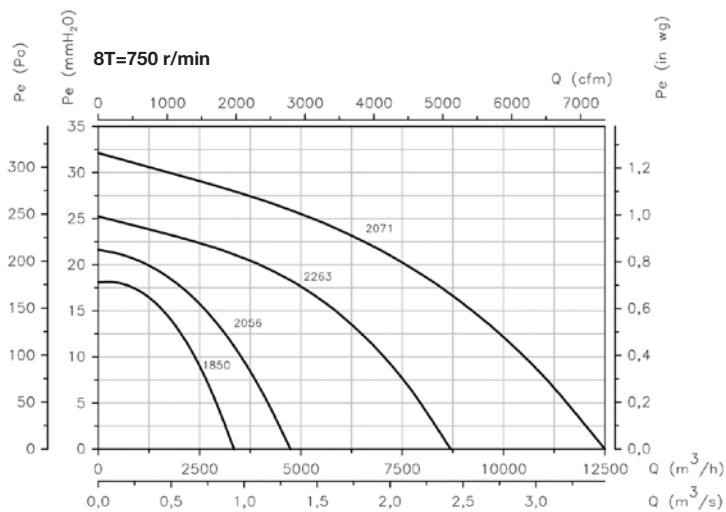
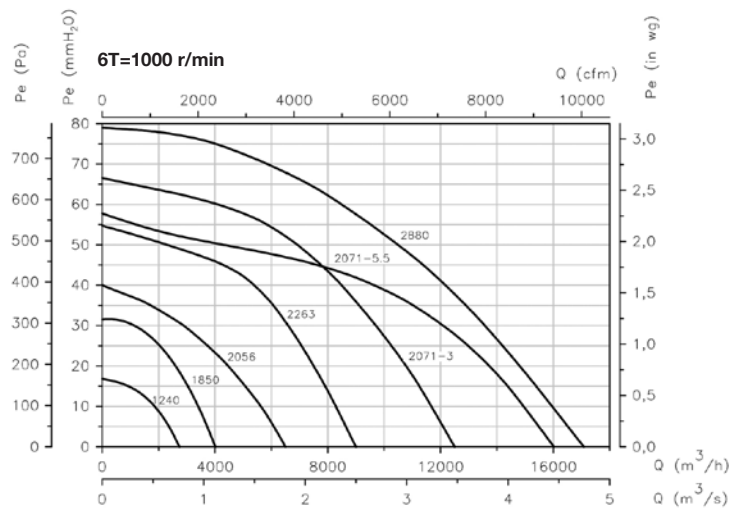
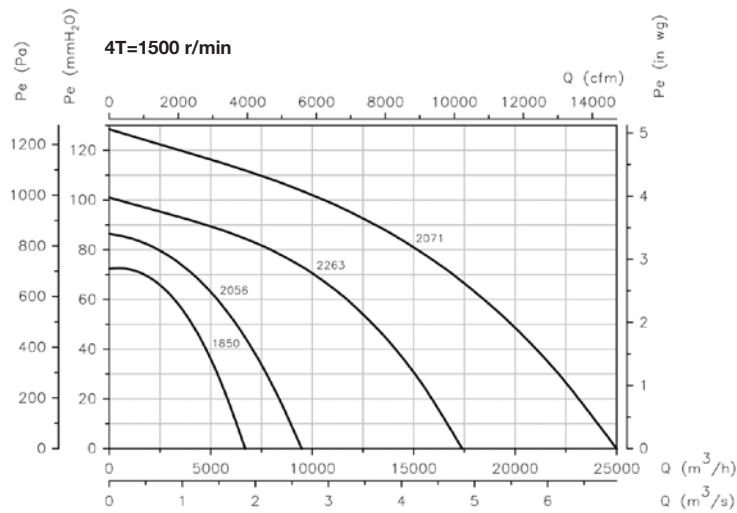


Model	A	B	C	D	E	F
CJS-1240-6T	800	800	400	400	700	640
CJS-1850-4T	800	800	400	400	700	640
CJS-1850-6T	800	800	400	400	700	640
CJS-2056-4T	925	925	462.5	450	825	765
CJS-2056-6T	925	925	462.5	450	825	765
CJS-2263-4T	1000	1000	500	630	900	840
CJS-2263-6T	925	925	462.5	560	825	765
CJS-2071-4T	1060	1060	530	710	960	900
CJS-2071-6T-3	1000	1000	500	630	900	840
CJS-2071-6T-5.5	1060	1060	530	710	960	900
CJS-2880-6T	1060	1060	530	710	960	900

Characteristic curves

Q = Airflow in m³/h, m³/s and cfm.

Pe= Static pressure in mmH₂O Pa and inwg.



Accessories

See accessories section

