

# CAM



High pressure, single inlet, centrifugal fans with sheet steel casing and cast aluminium impeller.



#### Fan:

- Sheet steel casing.
- Cast aluminium and sheet steel impellers in models 752, 880 and 980.

#### Motor:

- IE3 efficiency motors for powers equal to or greater than 0.75 kW except single-phase, 2-speed and 8-pole.
- Class F motors with ball bearings and IP55 protection.
- Three-phase 230/400 V - 50 Hz (up to 4 kW) and 400/690 V - 50 Hz (powers higher than 4 kW).
- Maximum temperature of air to be carried: -20 °C +120 °C.

#### Finish:

- Anti-corrosive finish of polyester resin polymerised at 190 °C, previously degreased with phosphate-free nanotechnological treatment.

#### On request:

- Special windings for different voltages.
- Fan prepared for air transmission of up to 250 °C.
- Stainless steel fan.
- ATEX-certified Category 2.



Extremely robust, high performance impellers

### Order code

**CAM — 752 — 2T — 10**

CAM: High pressure, single inlet, centrifugal fans with sheet steel casing and cast aluminium impeller

Impeller size

Number of motor poles  
2=2900 r/min 50 Hz

T=Three-phase

Motor power (HP)

### Technical characteristics

| Model               | Speed<br>(r/min) | Maximum admissible current (A) |       |       | Installed power<br>(kW) | Maximum flow rate<br>(m³/h) | Sound pressure level<br>dB(A) | Approx. weight<br>(kg) | According to<br>ErP |
|---------------------|------------------|--------------------------------|-------|-------|-------------------------|-----------------------------|-------------------------------|------------------------|---------------------|
|                     |                  | 230 V                          | 400 V | 690 V |                         |                             |                               |                        |                     |
| CAM-540-2T IE3      | 2875             | 5.34                           | 3.07  | 1.50  | 2430                    | 85                          | 42                            | 2015                   |                     |
| CAM-545-2T-3 IE3    | 2910             | 7.32                           | 4.21  | 2.20  | 2300                    | 86                          | 59                            | 2015                   |                     |
| CAM-545-2T-4 IE3    | 2910             | 10.00                          | 5.77  | 3.00  | 3610                    | 88                          | 68                            | 2015                   |                     |
| CAM-550-2T-5.5 IE3  | 2900             | 13.00                          | 7.50  | 4.00  | 2800                    | 90                          | 122                           | 2015                   |                     |
| CAM-550-2T-7.5 IE3  | 2930             | 10.10                          | 5.86  | 5.50  | 5000                    | 91                          | 152                           | 2015                   |                     |
| CAM-752-2T-7.5 IE3  | 2930             | 10.10                          | 5.86  | 5.50  | 2950                    | 93                          | 161                           | 2015                   |                     |
| CAM-752-2T-10 IE3   | 2930             | 14.10                          | 8.17  | 7.50  | 5000                    | 94                          | 139                           | 2015                   |                     |
| CAM-760-2T-10 IE3   | 2930             | 14.10                          | 8.17  | 7.50  | 2900                    | 95                          | 164                           | 2015                   |                     |
| CAM-760-2T-15 IE3   | 2945             | 20.00                          | 11.60 | 11.00 | 5000                    | 97                          | 228                           | 2015                   |                     |
| CAM-760-2T-15/E IE3 | 2945             | 20.00                          | 11.60 | 11.00 | 6380                    | 98                          | 226                           | 2015                   |                     |
| CAM-880-2T-40 IE3   | 2960             | 54.50                          | 31.60 | 30.00 | 10000                   | 99                          | 420                           | 2015                   |                     |
| CAM-980-2T-60 IE3   | 2960             | 77.50                          | 44.90 | 45.00 | 11390                   | 92                          | 580                           | Excluded               |                     |



### Erp. (Energy Related Products)

Information on Directive 2009/125/EC can be downloaded from the SODECA website or the QuickFan selector programme.

### Acoustic characteristics

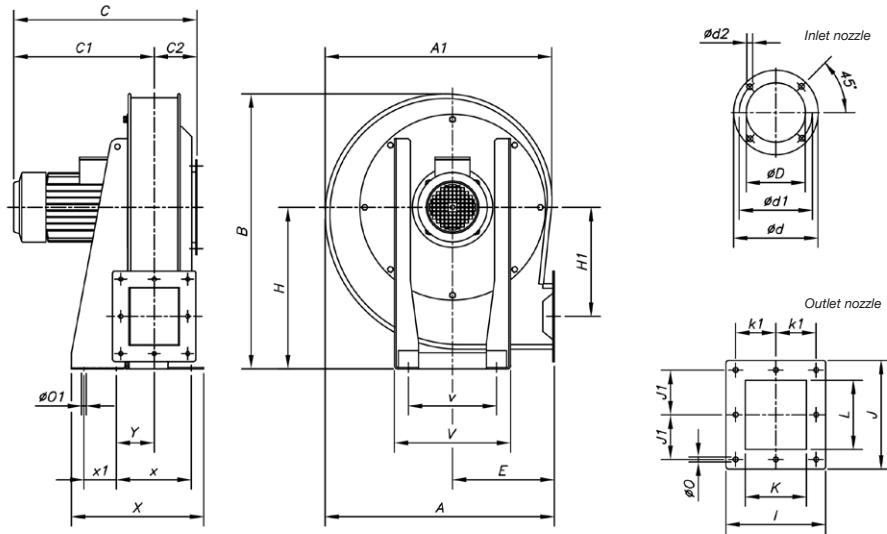
Sound power spectrum Lw(A) in dB(A) per Hz frequency band

|         | 63 125 250 500 1000 2000 4000 8000 |     |     |     |      |      |      |      | 63 125 250 500 1000 2000 4000 8000 |     |     |     |      |      |      |      |    |
|---------|------------------------------------|-----|-----|-----|------|------|------|------|------------------------------------|-----|-----|-----|------|------|------|------|----|
|         | 63                                 | 125 | 250 | 500 | 1000 | 2000 | 4000 | 8000 | 63                                 | 125 | 250 | 500 | 1000 | 2000 | 4000 | 8000 |    |
| 540     | 57                                 | 70  | 81  | 90  | 97   | 91   | 86   | 78   | 752-10                             | 67  | 81  | 92  | 101  | 108  | 102  | 96   | 89 |
| 545-3   | 58                                 | 71  | 82  | 91  | 98   | 92   | 87   | 79   | 760-10                             | 70  | 83  | 95  | 103  | 110  | 105  | 99   | 91 |
| 545-4   | 60                                 | 73  | 84  | 93  | 100  | 94   | 89   | 81   | 760-15                             | 72  | 85  | 97  | 105  | 112  | 107  | 101  | 93 |
| 550-5.5 | 63                                 | 77  | 88  | 97  | 104  | 98   | 92   | 85   | 760-15/E                           | 73  | 86  | 98  | 106  | 113  | 108  | 102  | 94 |
| 550-7.5 | 64                                 | 78  | 89  | 98  | 105  | 99   | 93   | 86   | 880                                | 75  | 89  | 100 | 109  | 116  | 110  | 104  | 97 |
| 752-7.5 | 66                                 | 80  | 91  | 100 | 107  | 101  | 95   | 88   | 980                                | 86  | 88  | 96  | 100  | 107  | 104  | 99   | 91 |

# CENTRIFUGAL FANS AND IN-LINE DUCT EXTRACTOR FANS

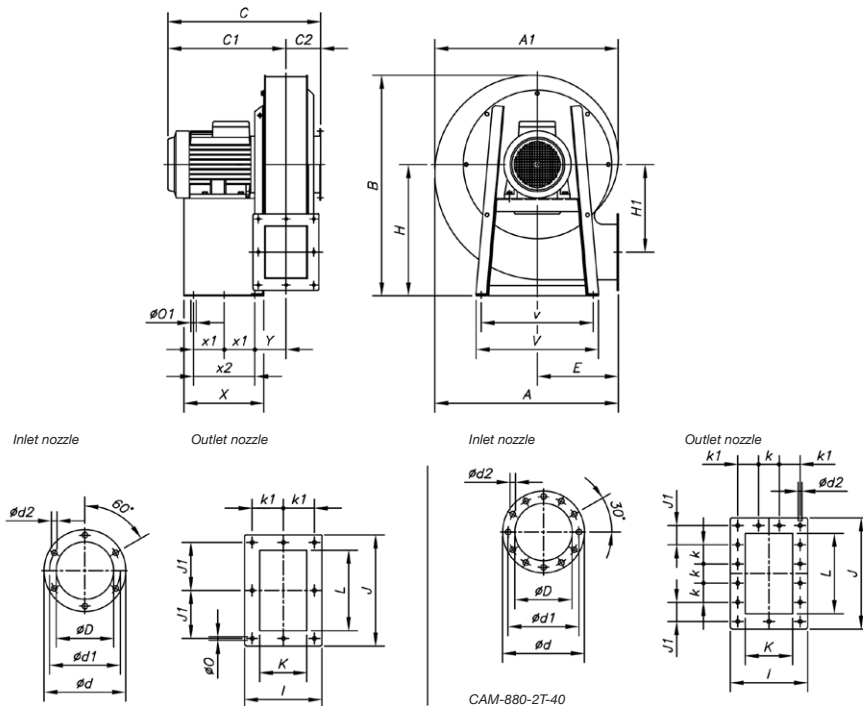
## Dimensions mm

### CAM-540...545



|              | A   | A1  | B   | C   | C1    | C2    | øD  | ød  | ød1 | ød2 | E   | H   | H1  | I   | J   | J1  | K   | k1 | L   | øO | øO1 | V   | v   | X   | x   | x1 | Y     |
|--------------|-----|-----|-----|-----|-------|-------|-----|-----|-----|-----|-----|-----|-----|-----|-----|-----|-----|----|-----|----|-----|-----|-----|-----|-----|----|-------|
| CAM-540-2T   | 568 | 562 | 681 | 454 | 348   | 106   | 170 | 235 | 205 | 11  | 252 | 400 | 270 | 206 | 224 | 92  | 120 | 83 | 140 | 10 | 12  | 288 | 218 | 328 | 186 | 80 | 94    |
| CAM-545-2T-3 | 654 | 644 | 772 | 474 | 355.5 | 118.5 | 165 | 235 | 205 | 11  | 290 | 450 | 310 | 222 | 255 | 108 | 135 | 90 | 170 | 10 | 12  | 300 | 238 | 344 | 202 | 80 | 102.5 |
| CAM-545-2T-4 | 654 | 644 | 772 | 504 | 385.5 | 115.5 | 165 | 235 | 205 | 11  | 290 | 450 | 310 | 222 | 255 | 108 | 135 | 90 | 170 | 10 | 12  | 300 | 238 | 344 | 202 | 80 | 102.5 |

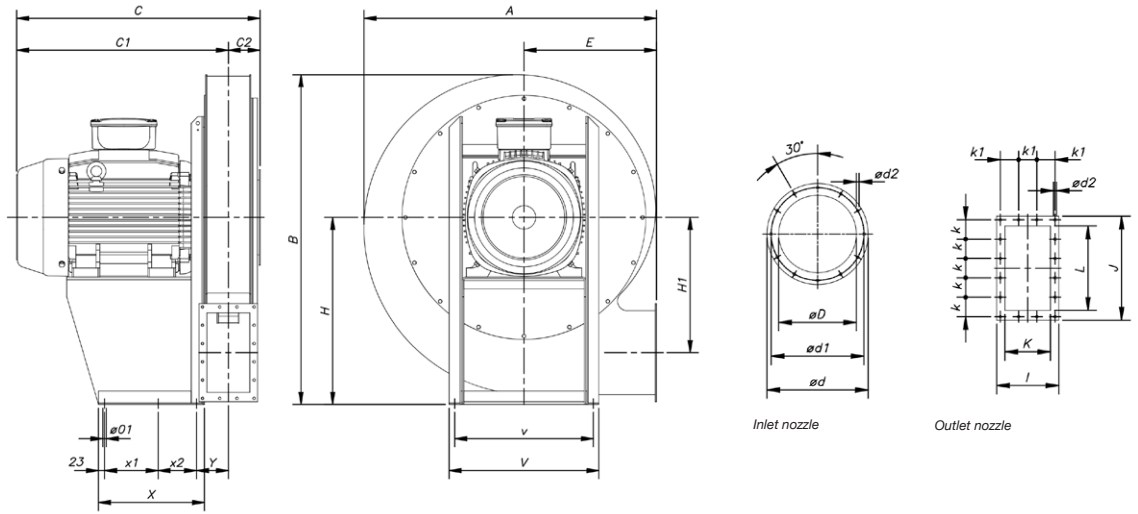
### CAM-550...880



|                 | A     | A1    | B    | C   | C1    | C2  | øD  | ød  | ød1 | ød2 | E   | H   | H1  | I   | J   | J1  | K   | k  | k1  | L   | øO | øO1 | V   | v   | X   | x1    | x2  | Y     |
|-----------------|-------|-------|------|-----|-------|-----|-----|-----|-----|-----|-----|-----|-----|-----|-----|-----|-----|----|-----|-----|----|-----|-----|-----|-----|-------|-----|-------|
| CAM-550-2T-5.5  | 719   | 715   | 868  | 552 | 416   | 136 | 210 | 278 | 258 | 9   | 311 | 510 | 350 | 246 | 296 | 128 | 150 | -  | 103 | 200 | 11 | 13  | 475 | 435 | 279 | 210   | 210 | 115.5 |
| CAM-550-2T-7.5  | 719   | 715   | 868  | 590 | 454   | 136 | 210 | 278 | 258 | 9   | 311 | 510 | 350 | 246 | 296 | 128 | 150 | -  | 103 | 200 | 11 | 13  | 475 | 435 | 310 | 210   | 210 | 115.5 |
| CAM-752-2T-7.5  | 713   | 713   | 856  | 594 | 459   | 135 | 217 | 278 | 258 | 9   | 315 | 510 | 340 | 256 | 296 | 128 | 160 | -  | 108 | 200 | 11 | 13  | 475 | 435 | 390 | 210   | 210 | 121   |
| CAM-752-2T-10   | 713   | 713   | 856  | 594 | 459   | 135 | 217 | 278 | 258 | 9   | 315 | 510 | 340 | 256 | 296 | 128 | 160 | -  | 108 | 200 | 11 | 13  | 475 | 435 | 390 | 210   | 210 | 121   |
| CAM-760-2T-10   | 837.5 | 833.5 | 975  | 616 | 462   | 147 | 212 | 322 | 280 | 9.5 | 370 | 570 | 380 | 276 | 316 | 138 | 180 | -  | 118 | 220 | 11 | 13  | 570 | 525 | 450 | 202.5 | 405 | 74.5  |
| CAM-760-2T-15   | 837.5 | 833.5 | 975  | 736 | 589.5 | 147 | 212 | 322 | 280 | 9.5 | 370 | 570 | 380 | 276 | 316 | 138 | 180 | -  | 118 | 220 | 11 | 13  | 570 | 525 | 450 | 202.5 | 405 | 74.5  |
| CAM-760-2T-15/E | 837.5 | 833.5 | 975  | 736 | 589.5 | 147 | 212 | 322 | 280 | 9.5 | 370 | 570 | 380 | 276 | 316 | 138 | 180 | -  | 118 | 220 | 11 | 13  | 570 | 525 | 450 | 202.5 | 405 | 74.5  |
| CAM-880-2T-40   | 945   | 939   | 1167 | 905 | 771   | 134 | 290 | 390 | 355 | 10  | 422 | 710 | 430 | 249 | 360 | 61  | 190 | 71 | 76  | 290 | 11 | 13  | 565 | 523 | 480 | 210   | 420 | 133   |

### Dimensions mm

CAM-980



|               | A    | B    | C     | C1    | C2  | øD  | ød  | ød1 | ød2 | E   | H   | H1  | I   | J   | K   | k  | k1 | L   | Ø01 | V   | v   | X   | x1  | x2  | Y   | x1  | Y   |
|---------------|------|------|-------|-------|-----|-----|-----|-----|-----|-----|-----|-----|-----|-----|-----|----|----|-----|-----|-----|-----|-----|-----|-----|-----|-----|-----|
| CAM-980-2T-60 | 1104 | 1243 | 918.5 | 798.5 | 120 | 276 | 360 | 330 | 10  | 500 | 705 | 510 | 221 | 370 | 162 | 69 | 65 | 300 | 13  | 565 | 523 | 400 | 202 | 145 | 120 | 202 | 120 |

### Orientation

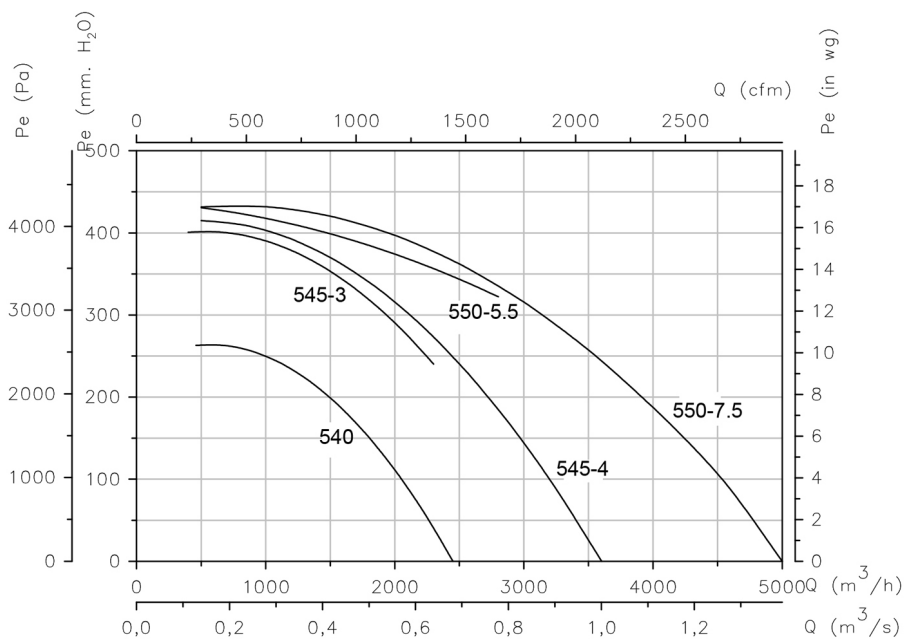
Standard supply LG 270  
 LG 180 positions on request and with special anchoring measurements.



### Characteristic curves

Q= Flow rate in m<sup>3</sup>/h, m<sup>3</sup>/s and cfm

Pe= Static pressure in mm H<sub>2</sub>O, Pa and inwg

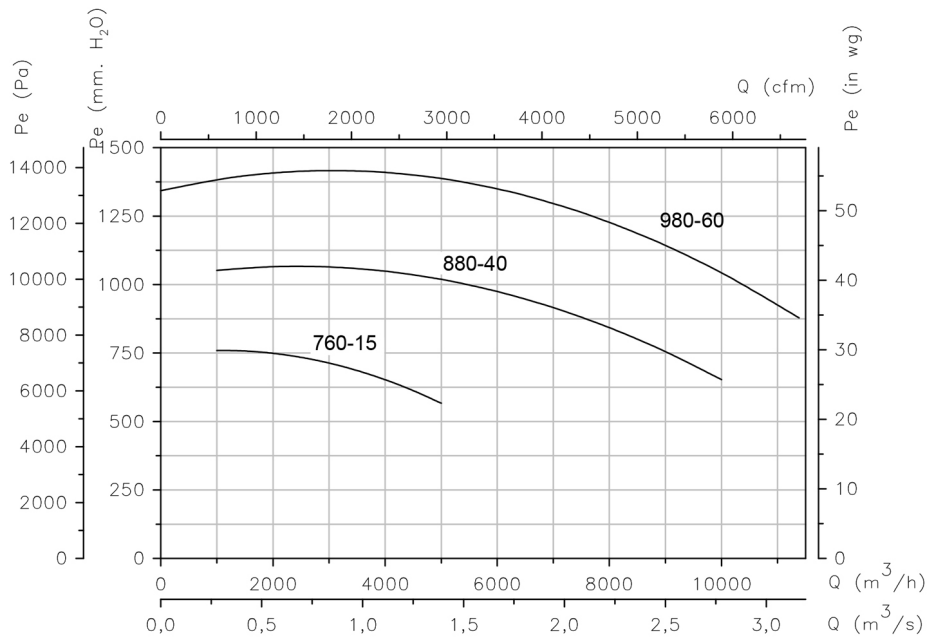
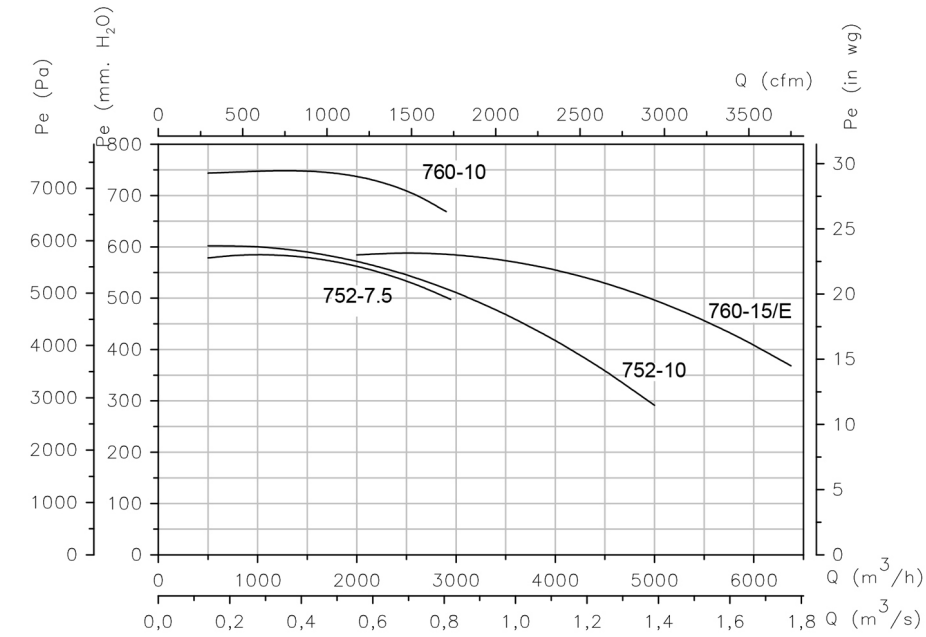


# CENTRIFUGAL FANS AND IN-LINE DUCT EXTRACTOR FANS

## Characteristic curves

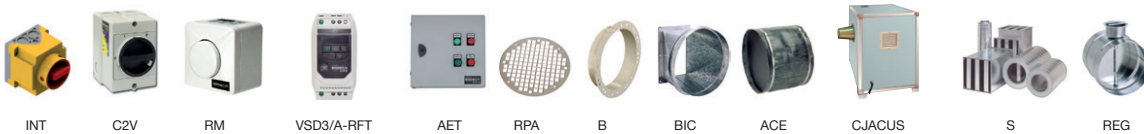
Q= Flow rate in m<sup>3</sup>/h, m<sup>3</sup>/s and cfm

Pe= Static pressure in mm H<sub>2</sub>O, Pa and inwg



## Accessories

See accessories section.



INT C2V RM VSD3/A-RFT AET RPA B BIC ACE CJACUS S REG