

Technical Data Sheet

CODE 61026

NORDIK HEAVY DUTY 160 INOX

Reversible heavy duty ceiling fans



Certifications



IMQ

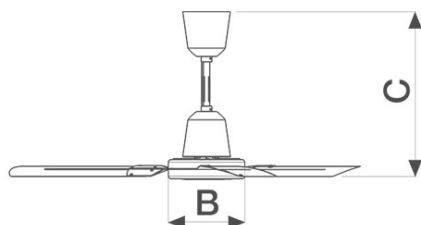


CE

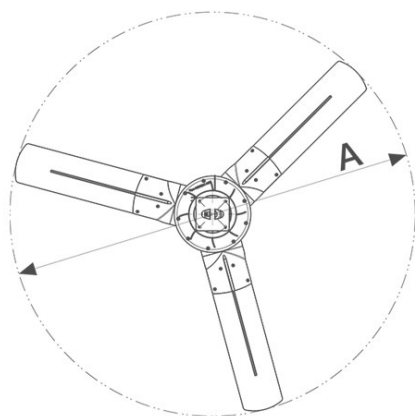
TECHNICAL AND PERFORMANCE DATA

Absorbed Current max (A)	0,37	Voltage (V)	230
Absorbed Power max (W)	85	Weight (Kg)	8,2
Blades diameter	1524	Airflow speed at max speed (m/s)	1,85
Frequency (Hz)	50	Delivery max (m ³ /h)	19300
Insulation Class	I°	Delivery max (m ³ /min)	321,6
IP	55	RPM	210
Max ambient temperature for continuous operation (°C)	50	Service value (m ³ /min)/W	3,78
Motor Power (W)	85	Sound power level Lw [dB(A)]	55,6
		Sound Pressure level Lp [dB (A)] 3m	38,09

DIMENSIONS



Size A (mm)	∅
Size B (mm)	∅ 230
Size C (mm)	495



PER INFORMAZIONI:

Servizio al Cliente: tel +39 02 90699395 premendo 1 dopo messaggio registrato (consulenza su prodotti e impianti)

Pre & Post Vendita: fax +39 02 90699302

Email prevendita: prevendita@vortice-italy.com

Technical Data Sheet

CODE 61026

NORDIK HEAVY DUTY 160 INOX



Reversible heavy duty ceiling fans

DESCRIPTION

- Die-casted epoxy painted motor covers, colour black, sealed with EPDM gaskets to prevent dust or water entry.
- Cups made of AISI 304 stainless steel .
- Nominal diameter of blades 1600 mm.
- Single-phase external rotor motor, shaft mounted on ball bearings.
- 3 blades made of AISI 304 stainless steel.
- 4 hole support plate compatible with different types of ceilings, even highly slanted.
- Lifeline to prevent any risk of falling in case of uncorrect installation

- of the product.
- Possibility of automatic adjustment of up to 16 fans simultaneously, in relation to the differential measured by two temperature sensors (VORT DELTA T optional).
- Nuts and bolts, ceiling hook and rubber made damper supplied with the product.
- Adjustable speed control through auto-transformer or multiple electronic devices allowed (optionals)

ACCESSORIES



ASTA DI SOSTEGNO L.290 HEAVY DUTY INOX

Code 22721



ASTA DI SOSTEGNO L.665 HEAVY DUTY INOX

Code 22722



ASTA DI SOSTEGNO L.915 HEAVY DUTY INOX

Code 22723



SET PALE D.160 HEAVY DUTY INOX

Code 22730



SCRR5

Code 12963



SCRR/M

Code 12965



VORT DELTA T

Code 13039

PER INFORMAZIONI:

Servizio al Cliente: tel +39 02 90699395 premendo 1 dopo messaggio registrato (consulenza su prodotti e impianti)

Pre & Post Vendita: fax +39 02 90699302

Email prevendita: prevendita@vortice-italy.com