

# Technical Data Sheet

CODE 61025

## NORDIK HEAVY DUTY 140 INOX

Reversible heavy duty ceiling fans



### Certifications



IMQ

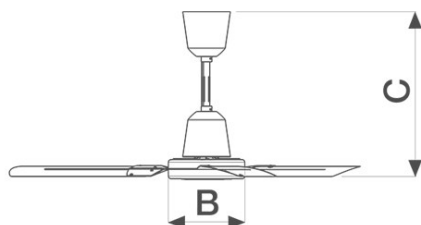


CE

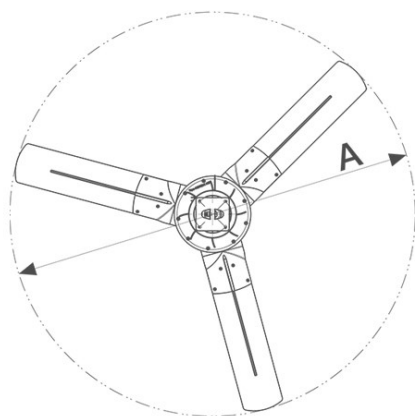
### TECHNICAL AND PERFORMANCE DATA

|   |      |                                       |       |
|---|------|---------------------------------------|-------|
| Absorbed Current max (A)                              | 0,35 | Voltage (V)                           | 230   |
| Absorbed Power max (W)                                | 80   | Weight (Kg)                           | 7,7   |
| Blades diameter                                       | 1422 | Airflow speed at max speed (m/s)      | 2,01  |
| Frequency (Hz)  | 50   | Delivery max (m <sup>3</sup> /h)      | 16000 |
| Insulation Class                                      | I°   | Delivery max (m <sup>3</sup> /min)    | 266,6 |
| IP  | 55   | RPM                                   | 236   |
| Max ambient temperature for continuous operation (°C) | 50   | Service value (m <sup>3</sup> /min)/W | 3,332 |
| Motor Power (W)                                       | 80   | Sound power level Lw [dB(A)]          | 55,4  |
|   |      | Sound Pressure level Lp [dB (A)] 3m   | 37,90 |

### DIMENSIONS



|             |       |
|-------------|-------|
| Size A (mm) | ∅     |
| Size B (mm) | ∅ 230 |
| Size C (mm) | 495   |



#### PER INFORMAZIONI:

Servizio al Cliente: tel +39 02 90699395 premendo 1 dopo messaggio registrato (consulenza su prodotti e impianti)

Pre & Post Vendita: fax +39 02 90699302

Email prevendita: prevendita@vortice-italy.com

# Technical Data Sheet

CODE 61025

## NORDIK HEAVY DUTY 140 INOX



Reversible heavy duty ceiling fans

### DESCRIPTION

- Die-casted epoxy painted motor covers, colour black, sealed with EPDM gaskets to prevent dust or water entry.
- Cups made of AISI 304 stainless steel .
- Nominal diameter of blades 1400 mm.
- Single-phase external rotor motor, shaft mounted on ball bearings.
- 3 blades made of AISI 304 stainless steel.
- 4 hole support plate compatible with different types of ceilings, even highly slanted.
- Lifeline to prevent any risk of falling in case of uncorrect installation

- of the product.
- Possibility of automatic adjustment of up to 16 fans simultaneously, in relation to the differential measured by two temperature sensors (VORT DELTA T optional).
- Nuts and bolts, ceiling hook and rubber made damper supplied with the product.
- Adjustable speed control through auto-transformer or multiple electronic devices allowed (optionals)

### ACCESSORIES



#### ASTA DI SOSTEGNO L.290 HEAVY DUTY INOX

Code 22721



#### ASTA DI SOSTEGNO L.665 HEAVY DUTY INOX

Code 22722



#### ASTA DI SOSTEGNO L.915 HEAVY DUTY INOX

Code 22723



#### SET PALE D.140 HEAVY DUTY INOX

Code 22729



#### SCRR5

Code 12963



#### SCRR/M

Code 12965



#### VORT DELTA T

Code 13039

#### PER INFORMAZIONI:

Servizio al Cliente: tel +39 02 90699395 premendo 1 dopo messaggio registrato (consulenza su prodotti e impianti)

Pre & Post Vendita: fax +39 02 90699302

Email prevendita: [prevendita@vortice-italy.com](mailto:prevendita@vortice-italy.com)