

# Technical Data Sheet

CODE 61024

## NORDIK HEAVY DUTY 120 INOX

Reversible heavy duty ceiling fans



### Certifications



IMQ

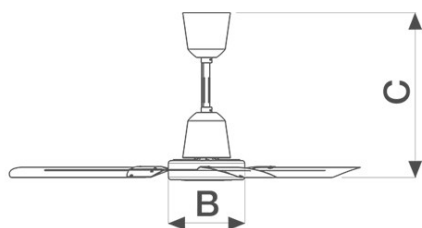


CE

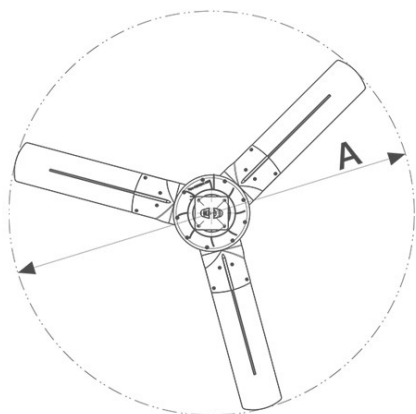
### TECHNICAL AND PERFORMANCE DATA

Absorbed Current max (A)	0,35	Weight (Kg)	7,3
Blades diameter	1218	Airflow speed at max speed (m/s)	2,40
Frequency (Hz)	50	Delivery max (m <sup>3</sup> /h)	14050
Insulation Class	I°	Delivery max (m <sup>3</sup> /min)	234
IP	55	RPM	233
Motor Power (W)	80	Service value (m <sup>3</sup> /min)/W	2,925
Voltage (V)	230	Sound power level Lw [dB(A)]	51,8
		Sound Pressure level Lp [dB (A)] 3m	34,32

### DIMENSIONS



Size A (mm)	∅
	1218
Size B (mm)	∅ 230
Size C (mm)	495



#### PER INFORMAZIONI:

Servizio al Cliente: tel +39 02 90699395 premendo 1 dopo messaggio registrato (consulenza su prodotti e impianti)

Pre & Post Vendita: fax +39 02 90699302

Email prevendita: prevendita@vortice-italy.com

# Technical Data Sheet

CODE 61024

## NORDIK HEAVY DUTY 120 INOX



Reversible heavy duty ceiling fans

### DESCRIPTION

- Die-casted epoxy painted motor covers, colour black, sealed with EPDM gaskets to prevent dust or water entry.
- Cups made of AISI 304 stainless steel .
- Nominal diameter of blades 1200 mm.
- Single-phase external rotor motor, shaft mounted on ball bearings.
- 3 blades made of AISI 304 stainless steel.
- 4 hole support plate compatible with different types of ceilings, even highly slanted.
- Lifeline to prevent any risk of falling in case of uncorrect installation

- of the product.
- Possibility of automatic adjustment of up to 16 fans simultaneously, in relation to the differential measured by two temperature sensors (VORT DELTA T optional).
- Nuts and bolts, ceiling hook and rubber made damper supplied with the product.
- Adjustable speed control through auto-transformer or multiple electronic devices allowed (optionals)

### ACCESSORIES



#### ASTA DI SOSTEGNO L.290 HEAVY DUTY INOX

Code 22721



#### ASTA DI SOSTEGNO L.665 HEAVY DUTY INOX

Code 22722



#### ASTA DI SOSTEGNO L.915 HEAVY DUTY INOX

Code 22723



#### SET PALE D.120 HEAVY DUTY INOX

Code 22728



#### SCRR5

Code 12963



#### SCRR/M

Code 12965



#### VORT DELTA T

Code 13039

#### PER INFORMAZIONI:

Servizio al Cliente: tel +39 02 90699395 premendo 1 dopo messaggio registrato (consulenza su prodotti e impianti)

Pre & Post Vendita: fax +39 02 90699302

Email prevendita: [prevendita@vortice-italy.com](mailto:prevendita@vortice-italy.com)