

Technical Data Sheet

CODE 61021

NORDIK HEAVY DUTY 140

Reversible heavy duty ceiling fans



Certifications



IMQ

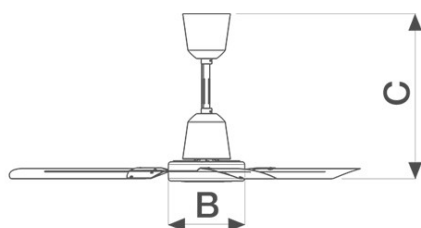


CE

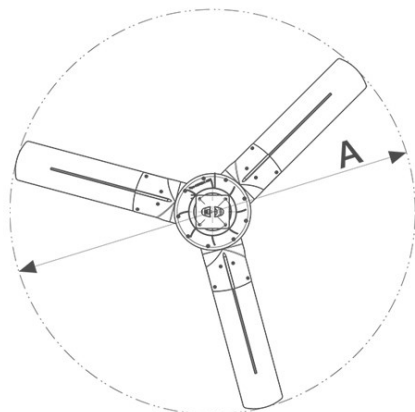
TECHNICAL AND PERFORMANCE DATA

Absorbed Current max (A)	0,35	Voltage (V)	230
Absorbed Power max (W)	80	Weight (Kg)	8,1
Blades diameter	1422	Airflow speed at max speed (m/s)	2,01
Frequency (Hz)	50	Delivery max (m ³ /h)	16000
Insulation Class	I°	Delivery max (m ³ /min)	266,6
IP	55	RPM	236
Max ambient temperature for continuous operation (°C)	50	Service value (m ³ /min)/W	3,332
Motor Power (W)	80	Sound power level Lw [dB(A)]	55,4
		Sound Pressure level Lp [dB (A)] 3m	37,90

DIMENSIONS



Size A (mm)	∅
	1422
Size B (mm)	∅ 230
Size C (mm)	495



PER INFORMAZIONI:

Servizio al Cliente: tel +39 02 90699395 premendo 1 dopo messaggio registrato (consulenza su prodotti e impianti)

Pre & Post Vendita: fax +39 02 90699302

Email prevendita: prevendita@vortice-italy.com

Technical Data Sheet

CODE 61021

NORDIK HEAVY DUTY 140

Reversible heavy duty ceiling fans



DESCRIPTION

- Die-casted epoxy painted motor covers, colour black, sealed with EPDM gaskets to prevent dust or water entry.
- Cups made of electrogalvanized steel plate protected by a double layer of epoxy paint.
- Nominal diameter of blades 1400 mm.
- Single-phase external rotor motor, shaft mounted on ball bearings.
- 3 blades made of electrogalvanized steel plate protected by a double layer of epoxy paint.
- 4 hole support plate compatible with different types of ceilings, even highly slanted.
- Lifeline to prevent any risk of falling in case of uncorrect installation of the product.
- Possibility of automatic adjustment of up to 16 fans simultaneously, in relation to the differential measured by two temperature sensors (VORT DELTA T optional).
- Nuts and bolts, ceiling hook and rubber made damper supplied with the product.
- Adjustable speed control through auto-transformer or multiple electronic devices allowed (optionals)

ACCESSORIES



SCRR5

Code 12963



SCRR/M

Code 12965



VORT DELTA T

Code 13039



ASTA DI SOSTEGNO L.290 HEAVY DUTY

Code 22717



ASTA DI SOSTEGNO L.665 HEAVY DUTY

Code 22718



ASTA DI SOSTEGNO L.915 HEAVY DUTY

Code 22719



SET PALE D.140 HEAVY DUTY

Code 22725

PER INFORMAZIONI:

Servizio al Cliente: tel +39 02 90699395 premendo 1 dopo messaggio registrato (consulenza su prodotti e impianti)

Pre & Post Vendita: fax +39 02 90699302

Email prevendita: prevendita@vortice-italy.com