



# NORDIK® INTERNATIONAL PLUS RANGE

Ceiling fans

Ideal for use in bedrooms, living rooms, shops, stores and other public places.

- Nominal diameter of blades 900, 1200, 1400 and 1600 mm.
- Top and bottom motor covers moulded from heat-resistant and UV-resistant thermoplastic resin (ABS), colour white.
- Wiring connections at end of ceiling rod concealed by domes moulded from impact- and UV-resistant PP, colour white.
- Single phase start capacitor motor with external rotor, and shaft turning in ball bearings. Direction of rotation reversible.
- Maximum air flow: 14000 m<sup>3</sup>/h.
- 3 sheet steel blades powder coated with scratch-resistant polyester, colour white.
- Steel ceiling rod with polyester powder coated finish, colour white, length 375 mm.
- Bag of accessories containing nuts and bolts required for assembly of blades, ceiling hook and rubber anti-vibration washer.
- Factory-prepared to accept Light Kit (optional), suitable for lamp rated 150W. max with E27 screw fitting, or equivalent energy-saving lamp with E27 screw fitting.
- Speed selectable by way of control units (optional).
- Insulation class: Cl.I ☺.



Steel ceiling attachment  
hook for complete  
operating safety

Wide selection of different  
length support rods to blend  
perfectly into any room.

Metal parts coated  
with long-lasting pigments  
and clear, scratch  
resistant lacquer





# NORDIK® INTERNATIONAL PLUS RANGE

Ceiling fans

## TECHNICAL DATA

MODELS	CODE	COLOR	V	HZ	W	A	RPM	NR. BLADE	MAX AIRFLOW m³/h	Kg
NORDIK INTERNATIONAL PLUS 90/36"	61701	WHITE	220 - 240	50	70	0.32	231	3	8550	5.5
NORDIK INTERNATIONAL PLUS 120/48"	61711	WHITE	220 - 240	50	70	0.32	234	3	9900	5.9
NORDIK INTERNATIONAL PLUS 140/56"	61721	WHITE	220 - 240	50	70	0.32	231	3	13500	6.2
NORDIK INTERNATIONAL PLUS 160/60"	61731	WHITE	220 - 240	50	70	0.32	201	3	14000	6.7

## NORDIK® INTERNATIONAL PLUS RANGE | TECHNICAL DATA FOR REGULATION N° 206/2012 UE

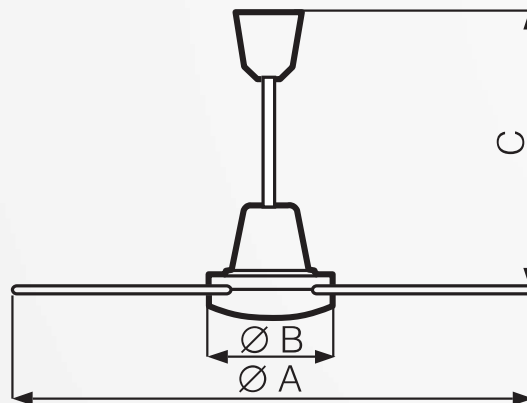
	SYMBOL	UNIT	PLUS 90/36"	PLUS 120/48"	PLUS 140/56"	PLUS 160/60"
	CODE		61701	61711	61721	61731
Maximun fan air flow	F	m³/min	142.50	165.00	225.00	233.33
Fanpower input	P	W	70	70	70	70
Service value	SV	(m³/min)W	2.036	2.357	3.214	3.333
Standby power consumption	PSB	kW	-	-	-	-
Fan sound power level	LWA	dB(A)	46.1	49.1	52.6	55.6
Maximum air velocity	C	m/sec	2.59	1.68	1.69	2.28

Measurement standard for service value

IEC 60879; EN62301: UNI EN ISO 3741

For more information refer to: Vortice Elettrosociali Spa, Strada Cerca, 2 - 20067 Zoate di Tribiano (MI) Italia

## DIMENSIONS



MODELS	CODE	ØA	ØB	C
NORDIK INTERNATIONAL PLUS 90/36"	61701	914	230	495
NORDIK INTERNATIONAL PLUS 120/48"	61711	1218	230	495
NORDIK INTERNATIONAL PLUS 140/56"	61721	1422	230	495
NORDIK INTERNATIONAL PLUS 160/60"	61731	1524	230	495

Dimensions (mm)





# NORDIK® INTERNATIONAL PLUS RANGE

Ceiling fans

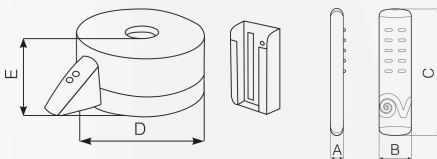
## ACCESSORIES

TELENORDIK 5TR (code 22386)



- New infrared remote control 5 speeds-timer-reverse
- The receiver is hidden inside the fan casing, with only the tip in which the sensor is located protruding.
- It uses infrared transmission to eliminate possible interference with radios or other electrical units.
- Set consists of a receiver, which is fitted to the fan ceiling rod, a transmitter, which sends the desired commands to the fan and a transmitter carrying case which can be fixed to the wall.
- Provided with LED indicators showing operation and "stand-by" status (power on).
- Remote-control range: approximately 13 meters line of sight.
- Fan and remote-control unit are both IMQ approved.
- Easy to install as connections between the fan and fixed speed regulator are not necessary.
- Transmitter can control any TeleNordik receiver.

Remote control	-	infrared
Receiver Volt at 50 Hz	Hz	220-240
Stand by	W	0,558
Maximum load Watt	W	100
Transmitter battery	-	2 x AAA 1.5 V
Receiver	Kg	0.76
Transmitter	Kg	0.06
Insulation	-	Cl. II



Models	A	B	C	D	E
5TR	20	43	155	154	62

Dimensions (mm)

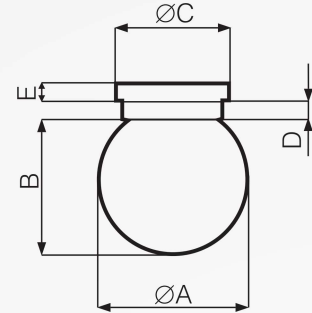
**CEILING RODS**  
Various lengths to enable installation at desired height.



**WHITE**

- Asta NK I 200 mm (code 22632)
- Asta NK I 250 mm (code 22633)
- Asta NK I 350 mm (code 22642)
- Asta NK I 500 mm (code 22651)
- Asta NK I 750 mm (code 22674)
- Asta NK I 1000 mm (code 22677)

PLUS LIGHT KIT (code 22415)



- Kit for all the Nordik International Plus models.
- Lamp: max 150 W with E27 fitting.

Models	ØA	B	ØC	D	E	Kg
Decor Light Kit	200	180	130	35	20	1.8

SCNR5 (code 12955)



- 5 position speed controller for ceiling-mounted fans without light.
- Convertible to flush-mounted using SCB5 Kit.
- 220-240V ~ 50 Hz.
- Maximum load: 100W.
- Weight: 0.58 Kg.w
- Double insulation.

SCNRL5 (code 12957)



- 5 position speed controller for ceiling-mounted fans with light.
- Convertible to flush-mounted using SCB5 Kit.
- 220-240V ~ 50 Hz.
- Maximum load: 250W.
- Weight: 0.58 Kg.
- Double insulation.

SCNR/M (code 12982)



- Electronic speed controller for use with up to 6 ceiling-mounted fans.
- Convertible to flush-mounted.
- 220-240V ~ 50 Hz.
- Maximum load: 450W (2.5 A).
- Weight: 0.2 Kg.
- Double insulation.

C 2.5 (code 12967)



- Electronic speed controller for use with up to 6 ceiling-mounted fans.
- Convertible to flush-mounted using SCB5 Kit.
- 220-240V ~ 50 Hz.
- Maximum load: 450W (2.5 A).
- Weight: 0.2 Kg.
- Double insulation.

KIT SCB5 (code 22483)



- Kit to convert SCNR5 and SCNRL5 5 position controllers from surface to flush mounted.

KIT SCB (code 22481)



- Kit to convert C 2.5 electronic speed controller from surface to flush mounted.



**FLUSH OR WALL MOUNTED CONTROLS**

SC 503 B (cod. 12801)



SC 503 N (cod. 12802)



SC EXT B (cod. 12803)



Thanks to their simple innovative design, these units more than meet the aesthetics expected of them for both domestic and commercial applications. Backing plate, knob, sliders and adapters made from polycarbonate; face plate and controller for wall mounting made from UV-resistant ABS. On the white and anthracite grey flush mounted versions, the knob and face plate are in matching colours. Both the flush and wall mounted version come with:

- knob with settings from 0 to 5 for various speeds (0 = OFF, 1- 5 = fan speed);
- a LED that shows when the fan is ON.
- two slider switches - one for the light and the other to reverse the fan (where applicable).
- Vortice ceiling fan controls are IMQ approved solely and exclusively for use with Vortice ceiling fans.

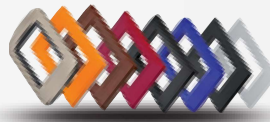
**AVAILABLE OPTIONAL ANCILLARIES**



Anthracite grey face plate  
code 22463



White face plate  
code 22462



*Recessed versions, thanks to an intermediate adjustable support, can be coupled with various existing standard face plates, satisfying diverse aesthetic requirements.*

*Support with 4 side teeth to be cut to provide compatibility with different face plates*

*Reverse mode*

Type 503 box  
code 22461

*Speed Setting Knob  
(0 = Off, 1-5 = Fan Speed)*

*Light switch*

*The result of an elegant and practical design*

*2 side adapters provided*

*Dedicated face plate*

Power supply voltage (V): 220 - 240  
Power supply frequency (Hz): 50  
Max power consumption (W): 18