



ROOM CONTROLLERS FOR 2- OR 4- PIPE FAN COILS

DB-TA-383

FUNCTION

2 or 4-pipe fan coil with 3- speed motor fan control for room temperature application with:

- knob for temperature setting;
- manual selection of thermostatic fan/continuous fan/off

- 3 motor speeds and season changeover;
- internal or remote temperature sensor (optional).

TYPE	VT/VC/OFF	3- SPEED	LOCAL S/W
DB-TA-383-433	•	•	•

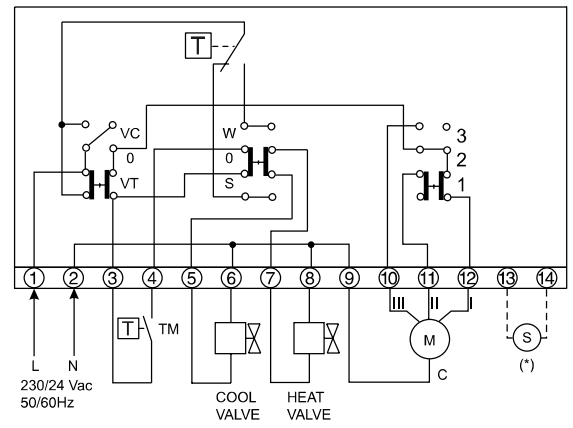
On request:

optional remote 1 m cable sensor, selectable by jumper; ordering code: NTA010-623.

TECHNICAL FEATURES

- Power supply:** 24/230 Vac \pm 10%, 50/60 Hz
(jumpers allow the choice of power supply)
6 A
- Max load:** 1 relay SPDT 6 A 250 Vac
- Output:** 1 W
- Power cons.:** 1 W
- Sensor:** NTC 10K
- Setpoint:** +5...+30 °C; mechanical limitation of the setpoint adjustment
- Differential:** 0.5 K
- Working:** 0...+40 °C
10...90% r.h. (without condensing)
- Storage:** -20...+70 °C
< 95 % r.h.
- Housing:** ABS fireproof according to UL94 V-0 color (RAL 9010)
- Protection:** IP30, class II
- Size:** 144 x 82 x 34 mm
- Weight:** 210 g

Terminal connections for 4- pipe air conditioning and heating systems.

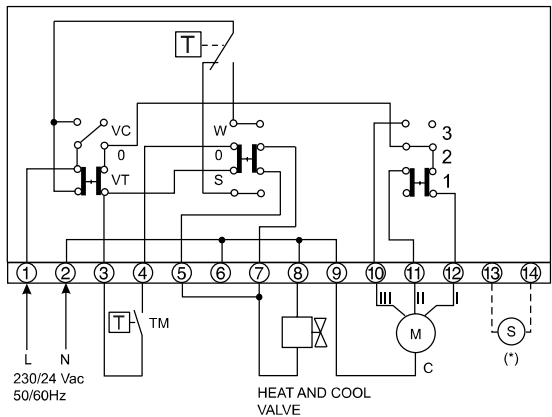


(*) optional remote sensor

TM = minimum thermostat (if this function is not used, connect terminals 3 and 4 together)

WIRING DIAGRAM

Terminal connections for 2-pipe air conditioning and heating systems.



Jumper setting:

- J1 closed = internal sensor
- J2 closed = remote sensor
- J4 closed = power supply 24 Vac, 50/60 Hz
- J5 closed = power supply 230 Vac, 50/60 Hz

The products are factory supplied with internal sensor and 230 Vac jumper setting.

