

THERMOLOGIKA SOLEIL PLUS



INFRARED HEATER FOR INDOOR/OUTDOOR LOCAL HEATING

Product specifications:

- 1 model for wall or ceiling installation, horizontally or vertically, particularly suited in all cases where strong heating is required in localised areas.
- Aluminium made front grille
- Side covers in die-casted aluminium
- Casing in extruded aluminium epoxy polyester painted.
- Metal bracket for wall mounting (supplied as standard).
- **Lamp (bulb)**
Based on Halogen HeLen technology, the bulb fitted in the Thermologika Soleil Plus is guaranteed to be highly efficient, long lasting (5000 h in an open environment) and suitable for operation down to -20° C.

IPX5

Products are protected against jets of water and therefore suitable for installation outdoors

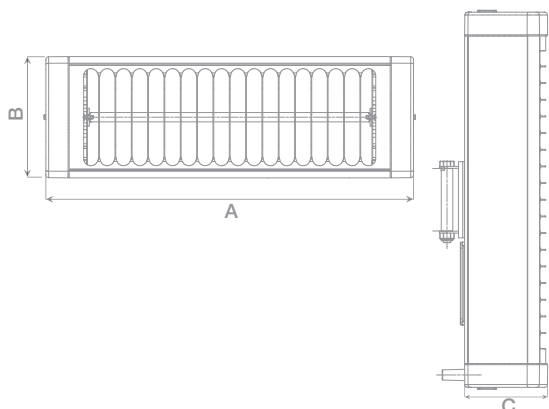


KEY FEATURES

- Strong and lightweight.
- High protection grade (IPX5) which makes the product particularly suited to outdoor use.
- The principle of radiation (like the sun itself) assures the efficient transmission of heat to the areas to be heated with no air dispersion.
- Immediate heat delivery (more than 90% of the heat is generated in around 1 second, compared to the 30 seconds needed on average to complete the standard ON/OFF cycle of a conventional quartz bulb).
- Heat concentrated in specifically targeted areas.
- No combustion, no risk of odours or polluting agents.
- Irradiated heat distribution not affected by air currents.
- High radiating efficiency, offering significant energy savings.
- Safe use (the quartz bulb guarantees high resistance to thermal shock).
- Reduced maintenance and high reliability




DIMENSIONS



Model	Code	A	B	C	Kg
THERMOLOGIKA SOLEIL PLUS	70065	395	130	120	1.5

Dimensions (mm)

TECHNICAL DATA

MODEL	Code	V	Hz	W	A	Insulation	IP
THERMOLOGIKA SOLEIL PLUS	70065	230	50	1500	6.5	 cl.I	X5



ACCESSORIES

MODEL	Code
HORIZONTAL/VERTICAL INSTALLATION KIT	22970
POWER REGULATOR	22974

POWER REGULATOR
To switch on/off and adjust the heat delivery, with power variation from 30 to 100 %.
Operating Voltage: 230V~50Hz
Max Power : 3000 W
Operating Temperature : 0°C – 40°C
Protection : IP20
Insulation : Class II.

APPLICATIONS

